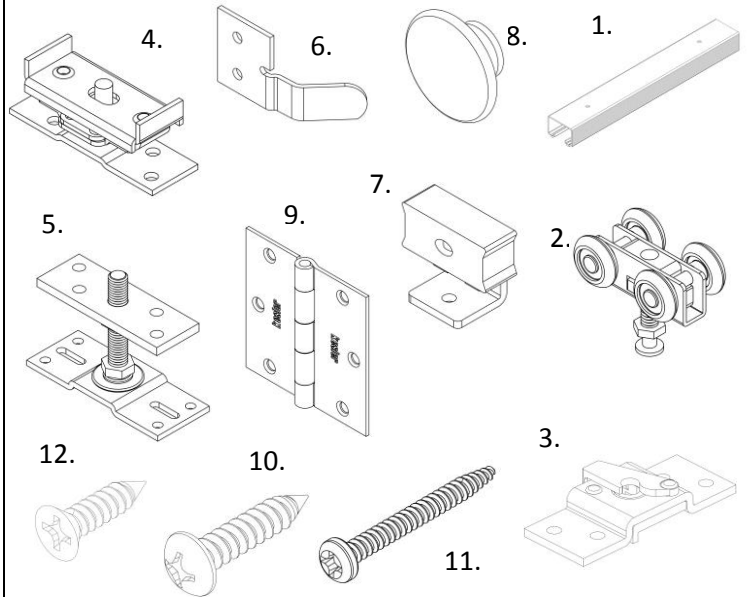
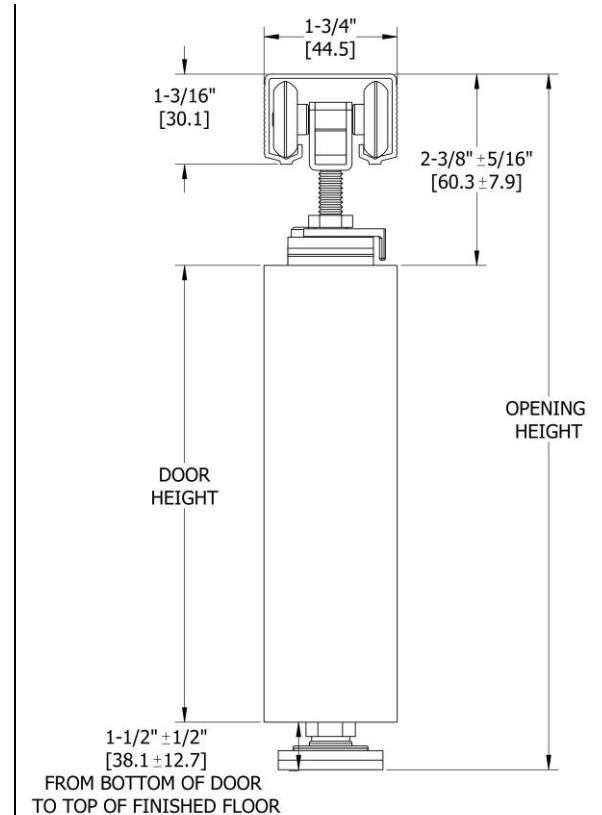
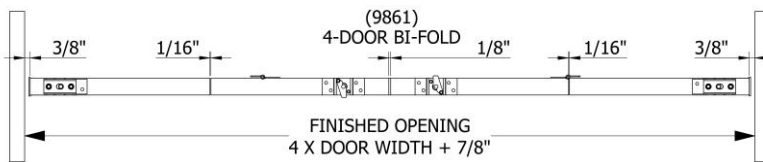
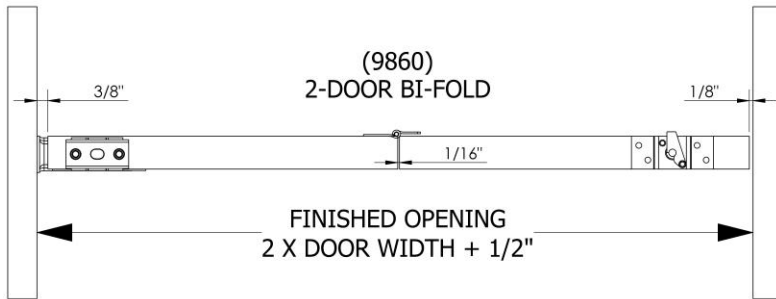


CONTENTS	9860	9861
1. TRACK (9821)	1	1
2. CARRIER (9825)	1	2
3. QUICK RELEASE PLATE(9610)	1	2
4. TOP PIVOT SET (9828)	1	2
5. BOTTOM PIVOT SET (9828)	1	2
6. BI-FOLD ALIGNER (9559)	-	2
7. BUMPER STOP (9815)	1	2
8. PULL (9558)	1	2
9. 3.5 X 3.5" HINGE (1741)	3	6
10. #8 X 3/4" PPHS	5	10
11. #8 X 1-1/2" PPHS	25	50
12. #10 X 3/4" FHS	18	36



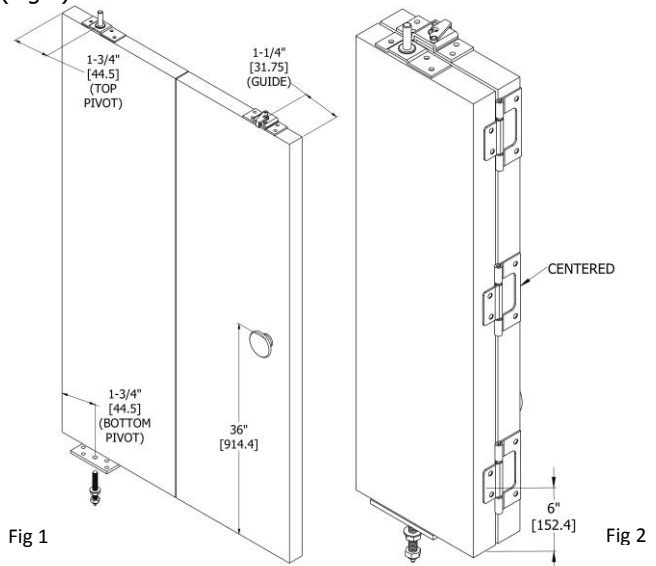
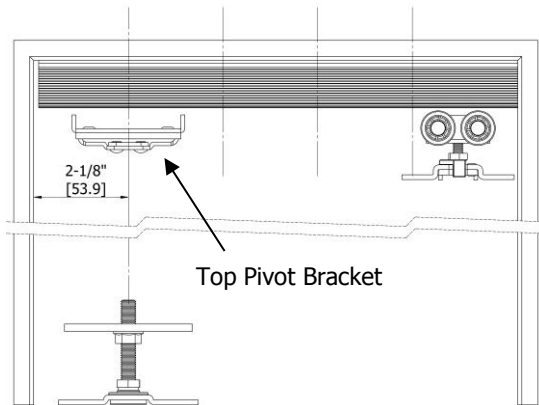
1 PREPARE OPENING

OPENING HEIGHT MAX = DOOR HEIGHT + 4-11/16"
 OPENING HEIGHT MIN = DOOR HEIGHT + 3-1/16"



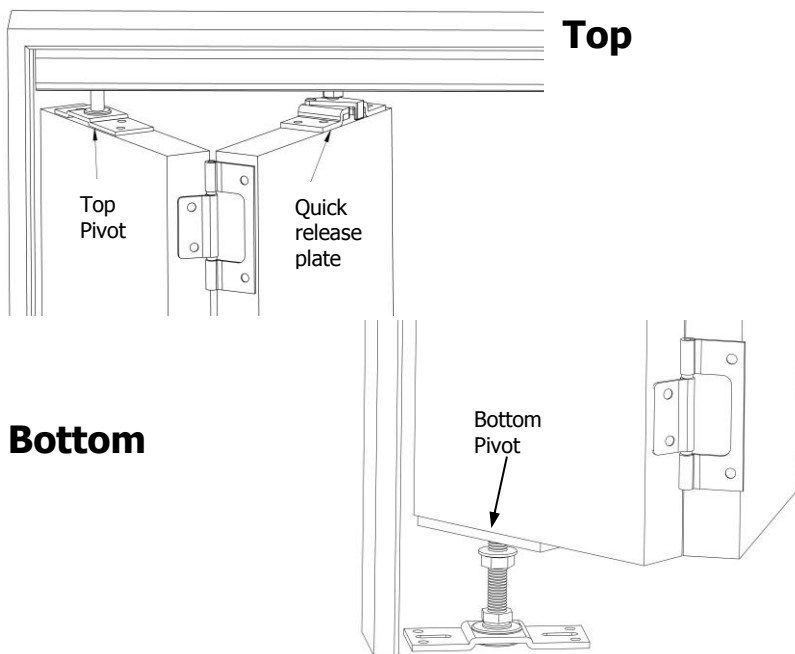
2 INSTALL TRACK AND HARDWARE

- Line up track flush against jamb on guide door side for 2-door, center track in opening for 4-door (Track length should be 1/8" less than opening width)
- Place top pivot bracket and hangers loose in track **before** securing track with (#8x1-1/2") screws
- Position top pivot bracket center 2-1/8" from jamb and hand tighten, secure bottom pivot with (#8x3/4") screws.
- Center quick release and pivot plates on door thickness
- Mount top and bottom pivot plates 1-3/4" from center to door edge (Fig 1)
- Mount quick release plate 1-1/4" from center to door edge (Fig 1)
- Secure plates onto door with (#8x1-1/2") screws
- Drill 3/16" guide hole in center of guide door and secure pull with (#8X1-3/4") screw
- To install hinges place doors side by side as if folded. Secure with (#10x3/4") screws (Fig 2)



3 HANG DOORS

- Fold doors together and engage top pivot into top pivot bracket.
- Set bottom pivot assembly into floor plate.
- Slide carrier bolt into quick release mount plate and close latch.



4 ADJUST AND FINISH

- Adjust carriers and pivots so door is square with frame
- Slide jam bracket carrier in or out to adjust tilt.
- Install aligners in back, about 12" from bottom with (#8x3/4") screws. (4 door install only)
- Install stops between top guide and side jamb furthest from pivot for 2 door and in the middle between the two pairs of doors for 4 doors.

