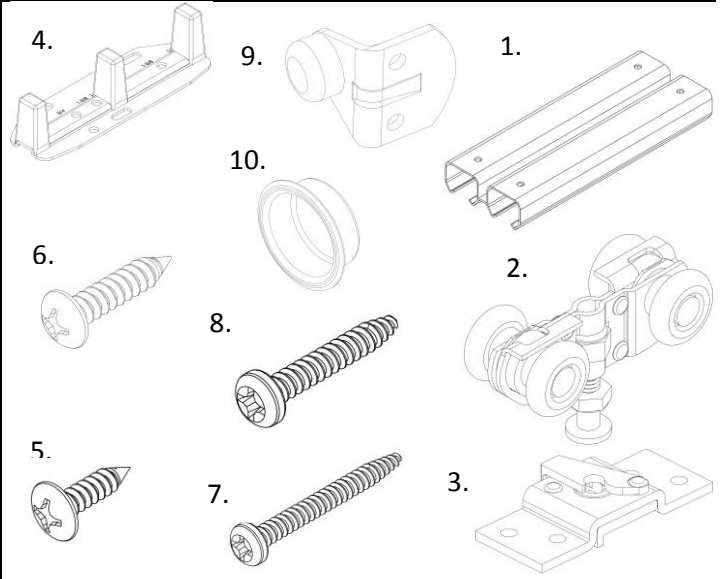
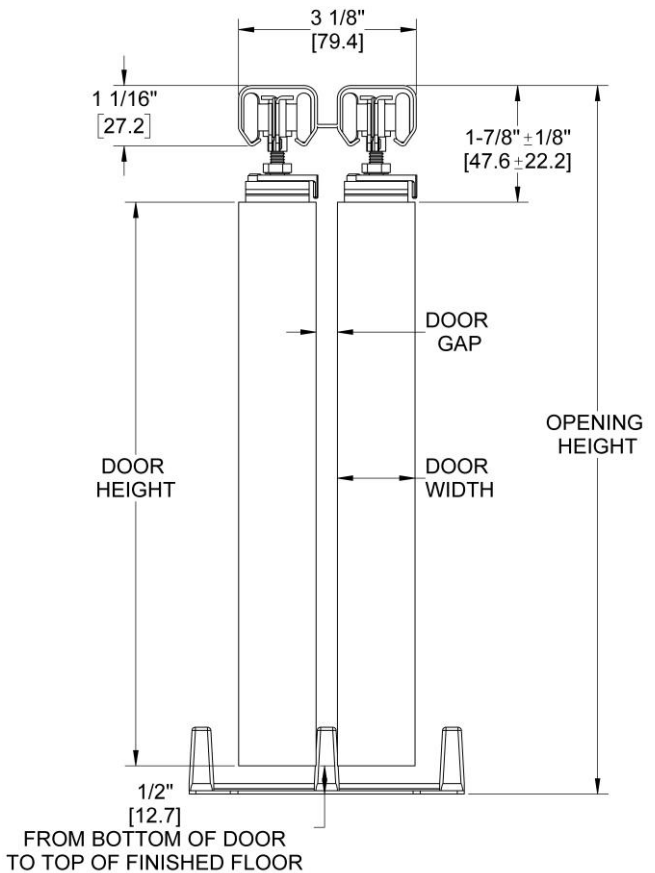
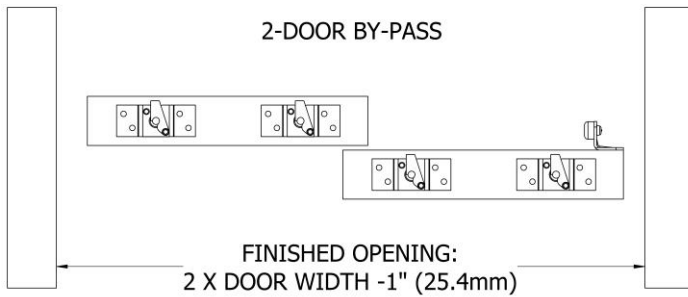


CONTENTS	9675	9676
1. TRACK (9602)	1	1
2. CARRIER	4 (9605)	4 (9606)
3. QUICK RELEASE PLATE (9610)	4	4
4. FLOOR GUIDE (9353)	1	1
5. #8X5/8" PTHS	16	16
6. #8X3/4" PPHS	2	2
7. #8X1-1/2" PPHS	3	3
8. #8X1" PPHS	16	16
9. DOORSTOP (9880) (sold separately)	1	1
10. PULL (Sold separately)	2	2



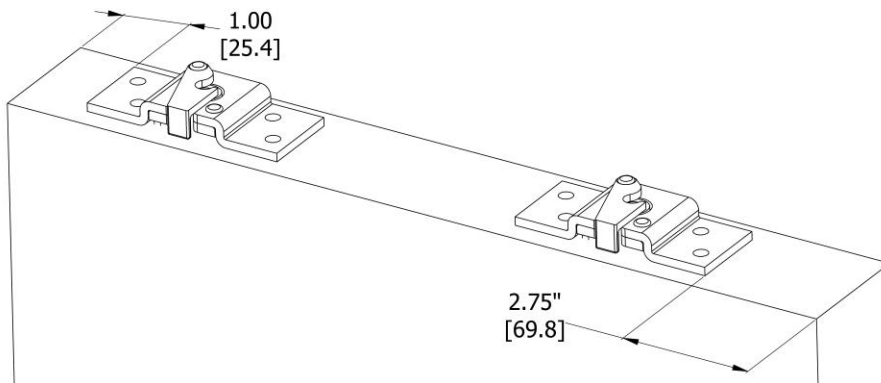
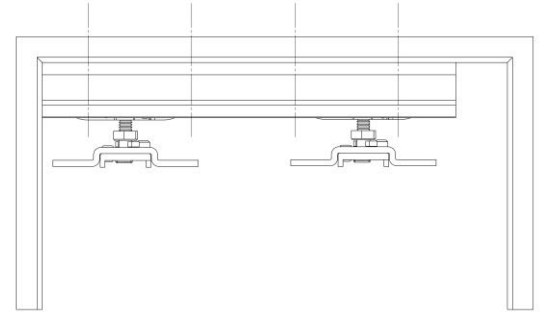
## 1 PREPARE OPENING

OPENING HEIGHT MAX = DOOR HEIGHT + 2-1/2"  
 OPENING HEIGHT MIN = DOOR HEIGHT + 2-1/4"



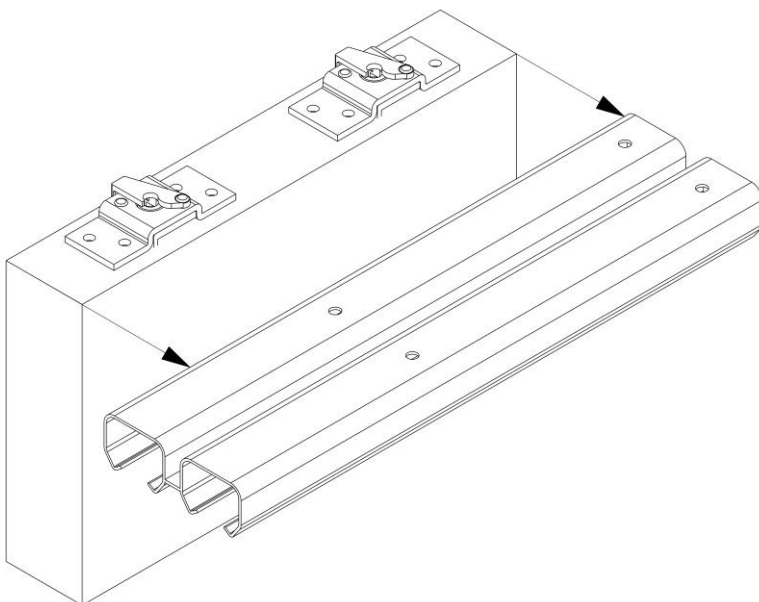
## 2 INSTALL TRACK AND HANGERS

- Center track in opening and secure with (#8 x 5/8") screws
- Leave a 1" gap between right end of track and door frame to allow carrier removal
- Center quick release plates on door thickness
- Mount left plate edge 1" from near left door edge
- Mount right plate edge 2-3/4" from near right door edge
- Secure Carriers onto door with (#8 x 1") screws



## 3 HANG DOORS

- Open quick release latches on brackets
- Slide door onto carrier screws and close hatch
- Repeat for front door on front rail



## 4 ADJUST AND FINISH

- Adjust carriers so door is square with frame
- Install door guides in center of opening, where doors overlap
- Drill appropriate dimensioned hole to mount door pull (optional)
- Install stops (optional)

