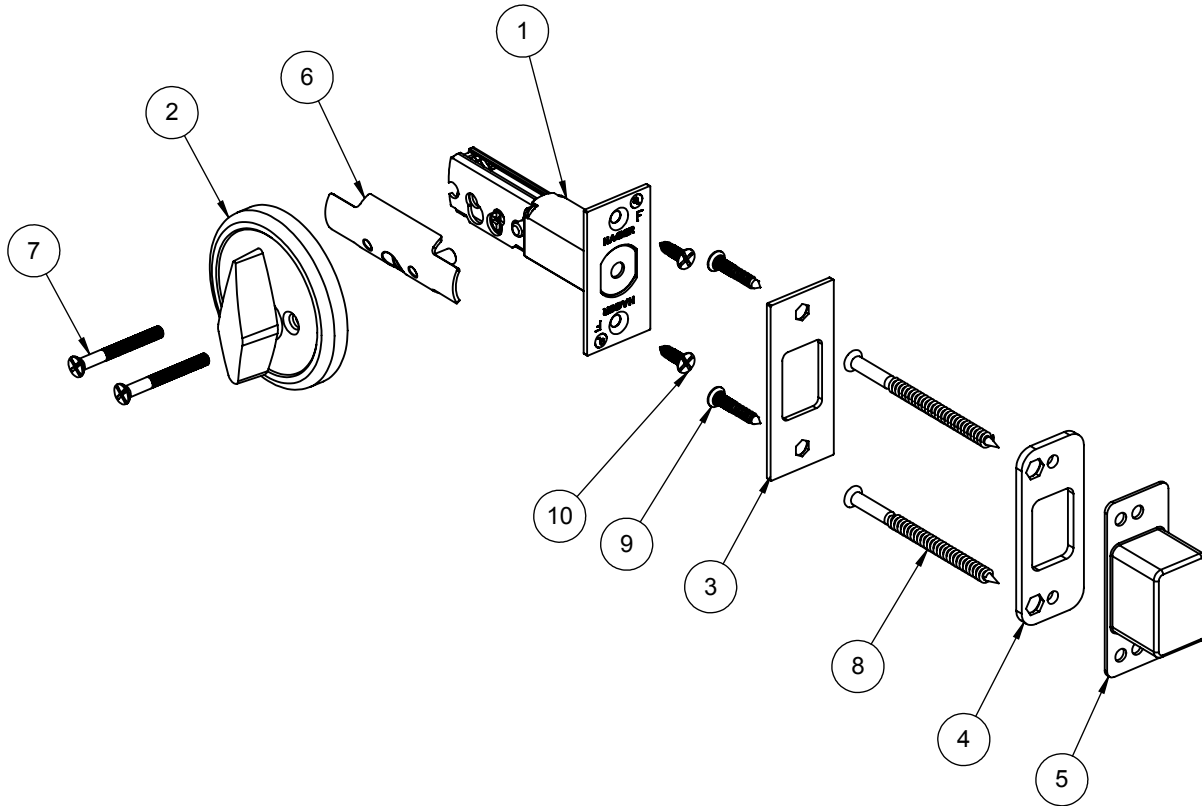



ITEM NO.	FILE NAME	Description	QTY.
1	S-LS00007	3942 ADJUSTABLE DEADBOLT LATCH	1
2	S-LS00717	INSIDE THUMBTURN ASSEMBLY	1
3	S-LS00723	DEADBOLT STRIKE	1
4	S-LS00724	DEADBOLT WOOD REINFORCER	1
5	S-LS00725	DEADBOLT DUST BOX	1
6	S-LS00722	SUPPORT BRACKET	1
7	Flat Head Screw_AI	#8-32 X 1-1/2" FPHMS	2
8	S-LS00885	CUSTOM #10 X 3" FPHWS	2
9	S-LS00882	#8 X 1-1/4" FPH COMBO SCREW	2
10	S-LS00882	#8 X 3/4" FPH COMBO SCREW	2



 <b>PROPRIETARY &amp; CONFIDENTIAL</b> THE INFORMATION CONTAINED IN THIS DRAWING IS THE SOLE PROPERTY OF HAGER COMPANIES. ANY REPRODUCTION IN PART OR AS A WHOLE WITHOUT THE WRITTEN PERMISSION OF HAGER COMPANIES IS PROHIBITED.	HAGER RESERVES THE RIGHT TO MAKE DESIGN CHANGES WITHOUT NOTICE. CALL HAGER ENGINEERING AT 1-800-325-9995 FOR THE LATEST REVISION DATE OF TEMPLATE.	MATERIAL	DRAWN	MRJ	9/9/2009	3221 <b>GRADE 2 - THUMBTURN ONLY DEADBOLT</b>		
		Material <not specified>	ENG. APPR.	-	-			
		FINISH	TOLERANCES:			SIZE	DWG. NO.	REV.
		-	FRACTIONAL: ±0.015" ANGULAR: MACH: ± 1° BEND: ±1° TWO PLACE DECIMAL: ±0.01" THREE PLACE DECIMAL: ±0.004"			<b>A</b>	S-LS00830	-
DO NOT SCALE DRAWING				SCALE: 1:4	WEIGHT: 0.68	SHEET 1 OF 1		