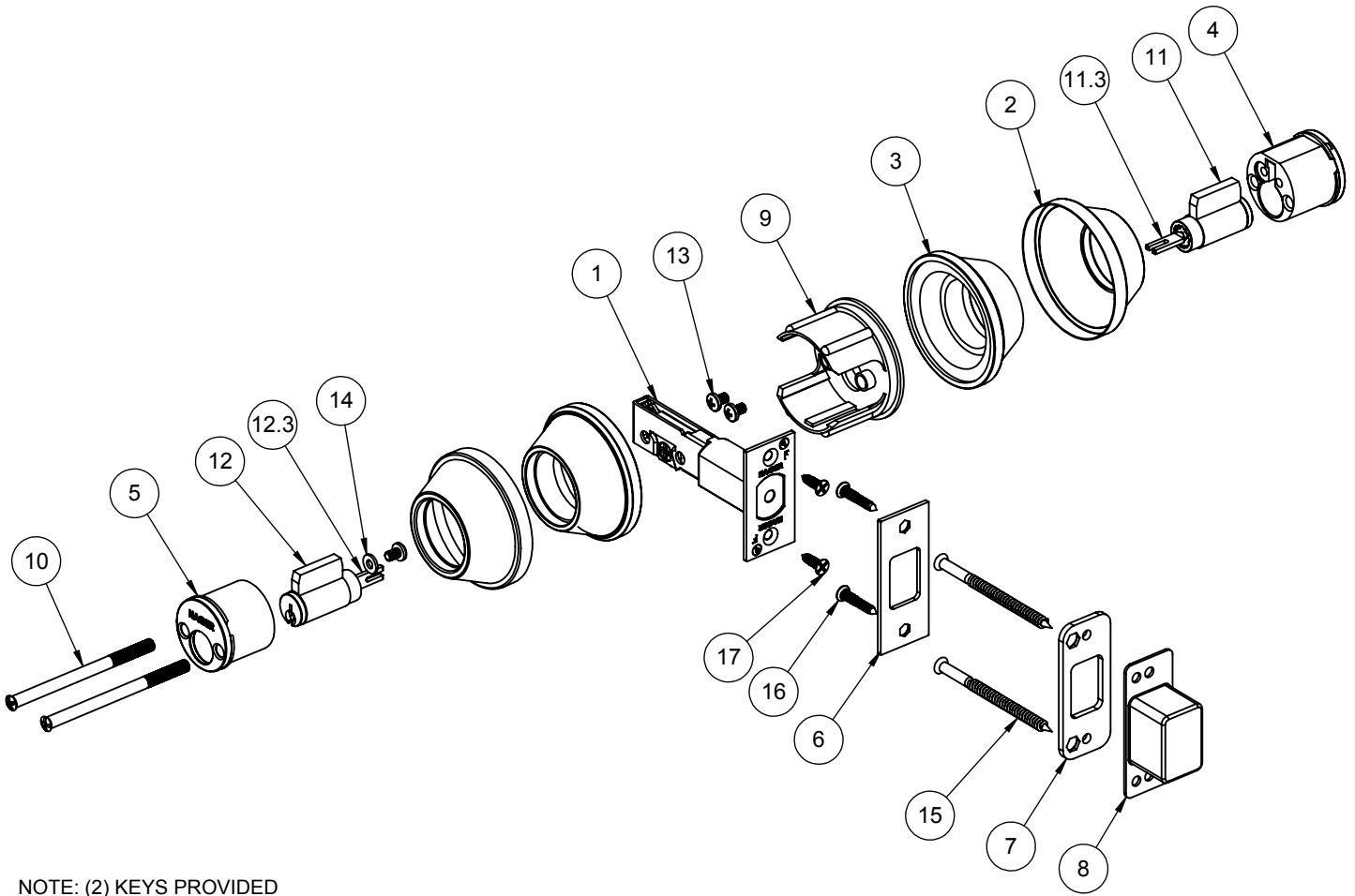



ITEM NO.	FILE NAME	DESCRIPTION	QTY.
1	S-LS00007	3940 DEADBOLT LATCH (2-3/4" BACKSET)	1
2	S-LS00728	CYLINDER ROSE	2
3	S-LS00726	CYLINDER ROSE LINER	2
4	S-LS00718	EXTERIOR DOUBLE CYLINDER HOUSING	1
5	S-LS00718	INTERIOR DOUBLE CYLINDER HOUSING	1
6	S-LS00723	DEADBOLT STRIKE	1
7	S-LS00724	DEADBOLT WOOD REINFORCER	1
8	S-LS00725	DEADBOLT DUST BOX	1
9	S-LS00379	STANDARD CYLINDER FIRE SHIELD	1
10	S-LS00884	CUSTOM #12-24 x 3-1/4"OPHMS	2
11	S-LS00617	6-PIN DRILLED CYLINDER	1
11.3	S-LS00217	EXTERIOR TAILPIECE (2-639-7005)	1
12	S-LS00617	6-PIN DRILLED CYLINDER	1
12.3	S-LS00218	INTERIOR TAILPIECE (2-639-7006)	1
13	pan cross head_ai	#8-32 X 1/4" PHMS	3
14	Flat Washer Narrow_AM	3.5MM NARROW FLAT WASHER	1
15	S-LS00885	CUSTOM #10 X 3" FPHWS	2
16	S-LS00882	#8 X 1-1/4" FPH COMBO SCREW	2
17	S-LS00882	#8 X 3/4" FPH COMBO SCREW	2



NOTE: (2) KEYS PROVIDED

 <p>PROPRIETARY & CONFIDENTIAL THE INFORMATION CONTAINED IN THIS DRAWING IS THE SOLE PROPERTY OF HAGER COMPANIES. ANY REPRODUCTION IN PART OR AS A WHOLE WITHOUT THE WRITTEN PERMISSION OF HAGER COMPANIES IS PROHIBITED.</p>	<p>HAGER RESERVES THE RIGHT TO MAKE DESIGN CHANGES WITHOUT NOTICE. CALL HAGER ENGINEERING AT 1-800-325-9995 FOR THE LATEST REVISION DATE OF TEMPLATE.</p>	DRAWN	MRJ	9/9/2009	<p>3214 GRADE 2 - DOUBLE CYLINDER DEADBOLT</p>		
		MATERIAL	Material <not specified>			ENG. APPR.	-
		FINISH	-			Q.A.	-
		DO NOT SCALE DRAWING		<p>TOLERANCES: FRACTIONAL: ±0.015" ANGULAR: MACH: ± 1° BEND: ±1° TWO PLACE DECIMAL: ±0.01" THREE PLACE DECIMAL: ±0.004"</p>		SCALE: 1:4	WEIGHT: 2.18
		SIZE	DWG. NO.		REV.		
		A	S-LS00826		01		
				SHEET 1 OF 1			