

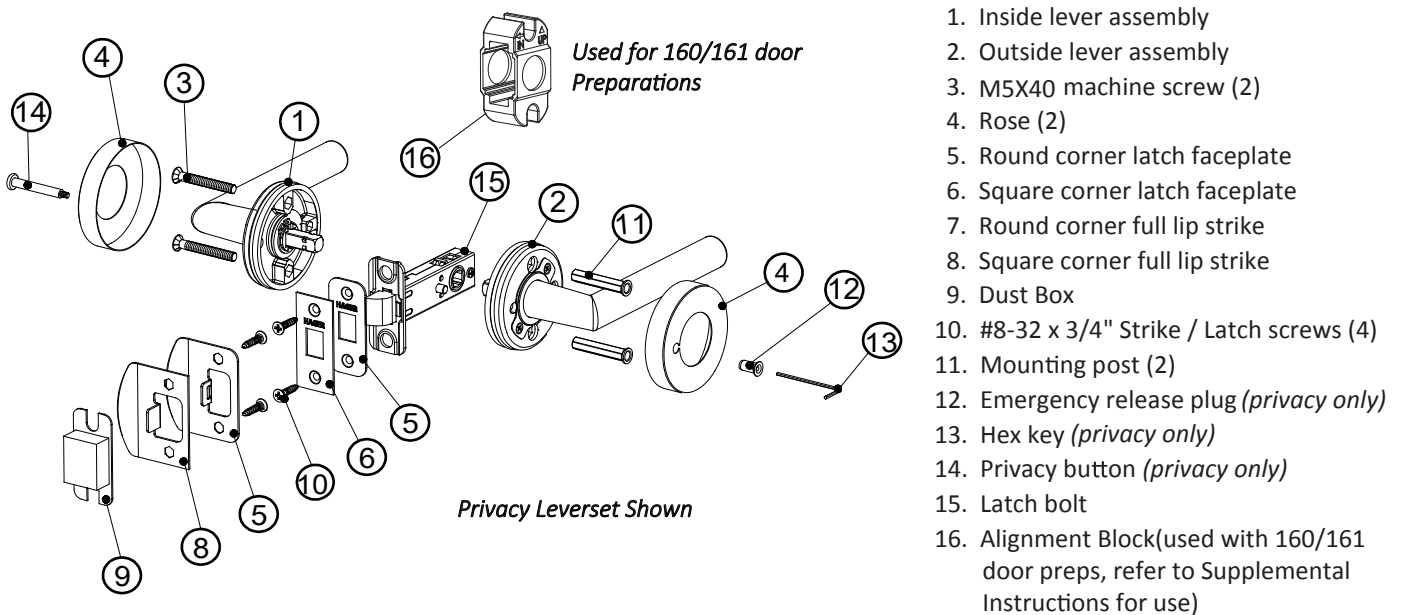
For use on doors 1-3/8" -1-3/4" (35mm-45mm) thick

Tools required for installation:



DOOR PREPARATION (PLEASE READ ALL INSTRUCTIONS CAREFULLY BEFORE INSTALLING)

If needed, use door prep template attached on page 2. Information below is for reference only.

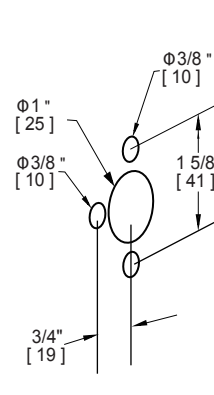
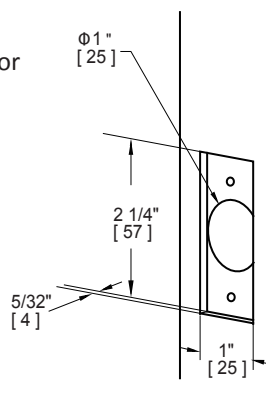
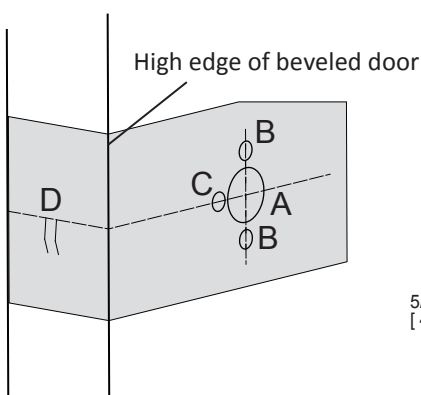


1. PREP DOOR & FRAME (*Skip ahead to step 2 for retrofit and previously prepared door applications*)

A. Mark holes using template

B. Prep Door

C. Prep frame for strike



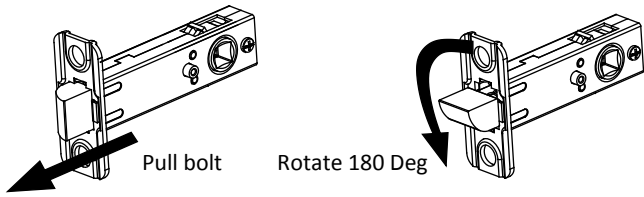
Fole template onto high edge of beveled door.

1. Mark hole A for privacy or passage locksets
2. Mark hole B for privacy or passage locksets
3. Mark hole C for privacy locksets
4. Mark hole D based on door thickness

Note: 1" hole in door edge should be drilled to a depth of 3.5" (89mm).

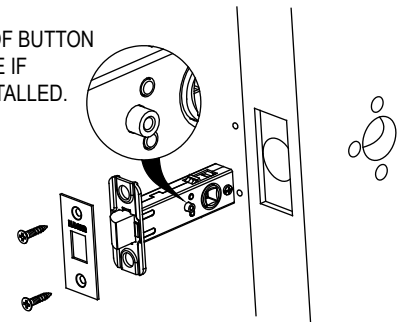
Note: Strike centerline should be aligned with centerline of faceplate cutout.

2. INSTALL LATCHBOLT

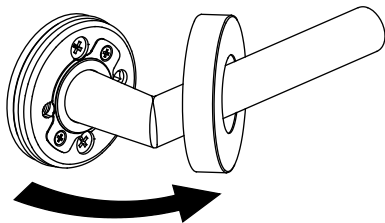


All privacy latch bolts are supplied handed to accommodate inward opening doors. For outward opening doors, follow the instruction above to rotate the bolt.

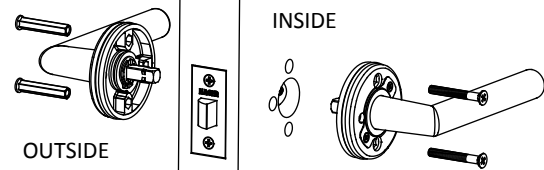
THREADED PORTION OF BUTTON MUST FACE THE INSIDE IF PRIVACY LATCH IS INSTALLED.



3. REMOVE ROSES FROM SPRING CAGE

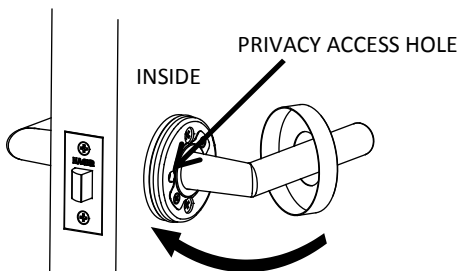


4. INSTALL LOCKSET



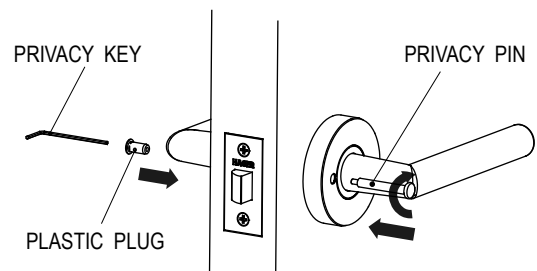
Tighten leverset to the door using (2) M5X40 machine screws and mounting posts

5. INSTALL ROSES



Slide roses onto spring cage and press tight to door face. For privacy locksets, align hole in rose to the privacy hole in spring cage.

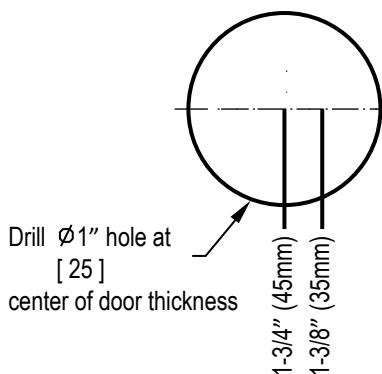
6. INSTALL BUTTON AND PLUG (PRIVACY ONLY)



1. Insert pin in inside rose and thread tight to latch bolt.
2. Snap plug into hole on exterior rose.

PASSAGE / PRIVACY TEMPLATE

(Remove by cutting along dashed line)



IMPORTANT: Fold here on high edge of beveled door

