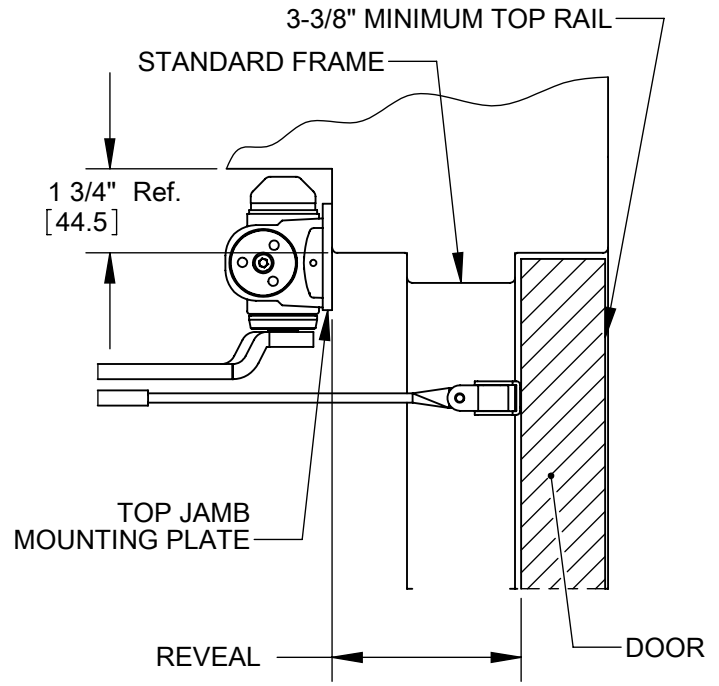
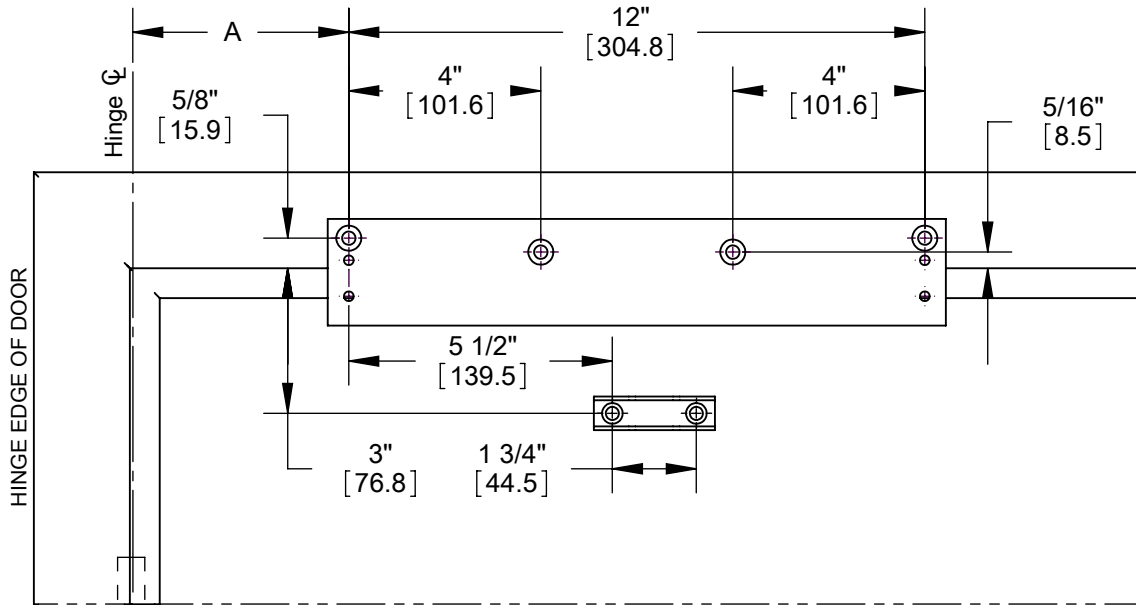


REVISIONS			
REV.	DESCRIPTION	DATE	APPROVED
01		9/15/2006	



Opening	Dimension "A"
To 100°	7-1/2" (191mm)
100° to 130°	6" (152mm)
over 130°	4-1/2" (114mm)

- LEFT HAND DOOR SHOWN, RIGHT HAND OPPOSITE.
- USE REGULAR LENGTH ROD FOR REVEALS UP TO 4" (76mm).
- USE LONG ROD FOR REVEALS 4" (70mm) TO 6-3/4" (171mm).

01

SCREW PACK INCLUDES:  
 4PCS. 1/4-14 X 1-1/2" SELF TAPPING FLAT HEAD WOOD SCREW  
 4PCS. 1/4-20 X 1-1/2" SELF TAPPING MACHINE SCREW  
 4PCS. 1/4-20 X 7/16" FLAT HEAD MACHINE SCREW



HAGER RESERVES THE RIGHT TO MAKE DESIGN CHANGES WITHOUT NOTICE. CALL HAGER ENGINEERING AT 1-800-325-9995 FOR THE LATEST REVISION DATE OF TEMPLATE.

PRIMARY DIMENSIONS SHOWN IN INCHES, DIMENSIONS IN [ ] ARE MILLIMETERS.

MATERIAL	FINISH
DO NOT SCALE DRAWING	

DRAWN	T Sveitis	1/13/06
ENG. APPR.	MAM	09/25/06
TOLERANCES:		
FRACTIONAL: ±0.015"		
ANGULAR: MACH: ± 1° BEND: ±1°		
TWO PLACE DECIMAL: ±0.01"		
THREE PLACE DECIMAL: ±0.004"		

<b>5918 Top Jamb Mounting Plate Template for 5200 Series Closer</b>		
SIZE	DWG. NO.	REV.
<b>A</b>	T-CL00009	<b>01</b>
SCALE: 1:4	WEIGHT:	SHEET 1 OF 1