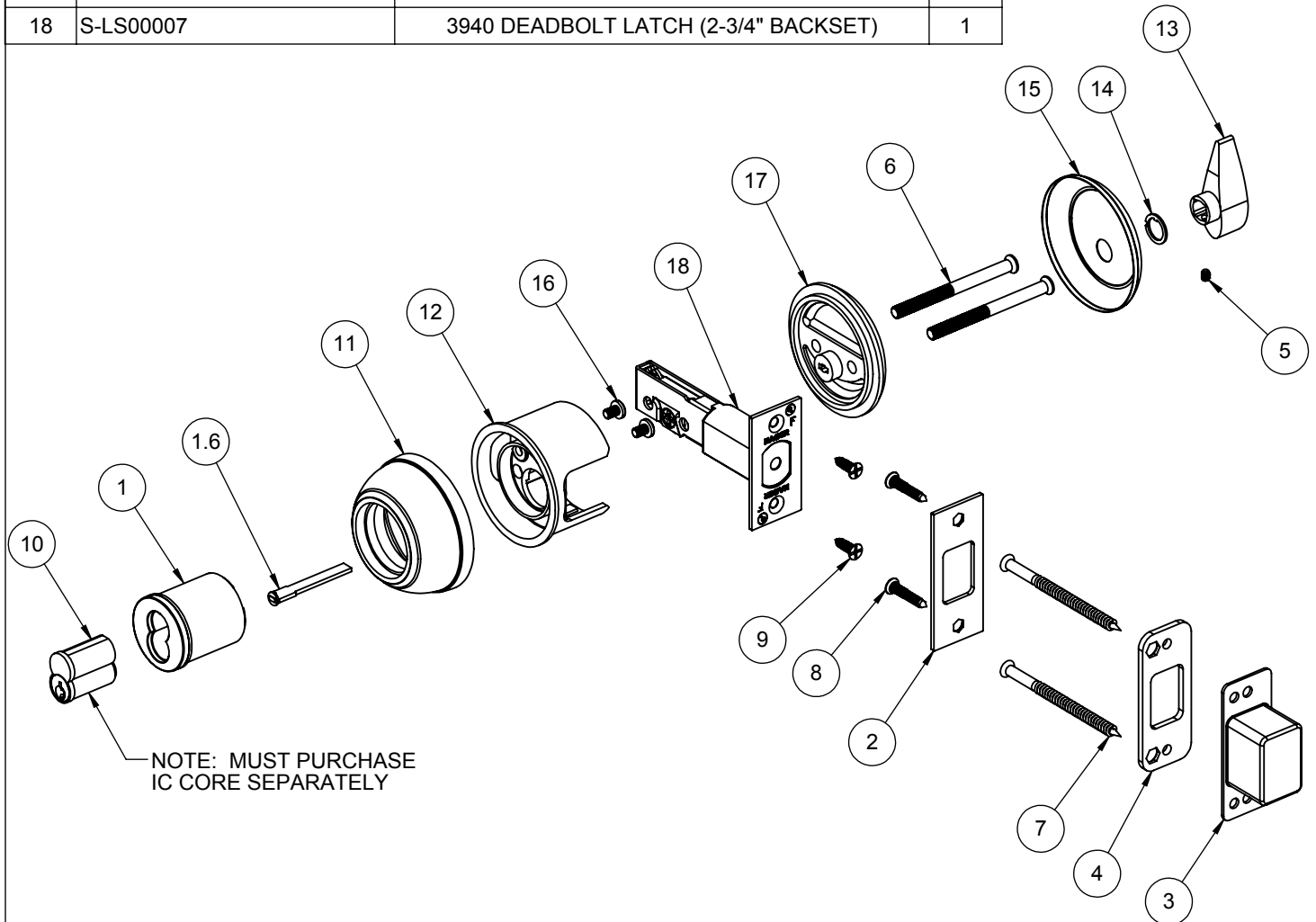



ITEM NO.	FILE NAME	DESCRIPTION	QTY.
1	S-LS00718	EXTERIOR THUMBTURN CYLINDER HOUSING - IC	1
1.6	S-LS00363	IC CORE TAILPIECE (2-639-7095)	1
2	S-LS00723	DEADBOLT STRIKE	1
3	S-LS00725	DEADBOLT DUST BOX	1
4	S-LS00724	DEADBOLT WOOD REINFORCER	1
5	Socket Set Screw Flat Point_AI	FLAT POINT SOCKET SET SCREW #6-32 X 3/16"	1
6	S-LS00883	CUSTOM #12-24 X 2-5/8" FPHMS	2
7	S-LS00885	CUSTOM #10 X 3" FPHWS	2
8	S-LS00882	#8 X 1-1/4" FPH COMBO SCREW	2
9	S-LS00882	#8 X 3/4" FPH COMBO SCREW	2
10	S-LS00550	INTERCHANGEABLE CORE	1
11	S-LS00367	ROSE	1
12	S-LS00379	IC CORE CYLINDER FIRE SHIELD	1
13	S-LS00373	THUMB TURN	1
14	S-LS00372	THUMB TURN WASHER	1
15	S-LS00371	THUMB TURN ROSE	1
16	pan cross head_ai	#8-32 X 1/4" PHMS	2
17	S-LS00876	THUMBTURN ROSE LINER ASSEMBLY	1
18	S-LS00007	3940 DEADBOLT LATCH (2-3/4" BACKSET)	1



 <b>PROPRIETARY &amp; CONFIDENTIAL</b> THE INFORMATION CONTAINED IN THIS DRAWING IS THE SOLE PROPERTY OF HAGER COMPANIES. ANY REPRODUCTION IN PART OR AS A WHOLE WITHOUT THE WRITTEN PERMISSION OF HAGER COMPANIES IS PROHIBITED.	HAGER RESERVES THE RIGHT TO MAKE DESIGN CHANGES WITHOUT NOTICE. CALL HAGER ENGINEERING AT 1-800-325-9995 FOR THE LATEST REVISION DATE OF TEMPLATE.	MATERIAL	Material <not specified>	DRAWN	MRJ	1/9/2010	3115	GRADE 1 - CYLINDER X THUMBTURN IC DEADBOLT		
		FINISH	-	ENG. APPR.	-	-			Q.A.	
		DO NOT SCALE DRAWING			TOLERANCES: FRACTIONAL: ±0.015" ANGULAR: MACH: ± 1° BEND: ±1° TWO PLACE DECIMAL: ±0.01" THREE PLACE DECIMAL: ±0.004"			SIZE	DWG. NO.	REV.
								<b>A</b>	S-LS00878	-
						SCALE: 1:4	WEIGHT: 1.52	SHEET 1 OF 1		