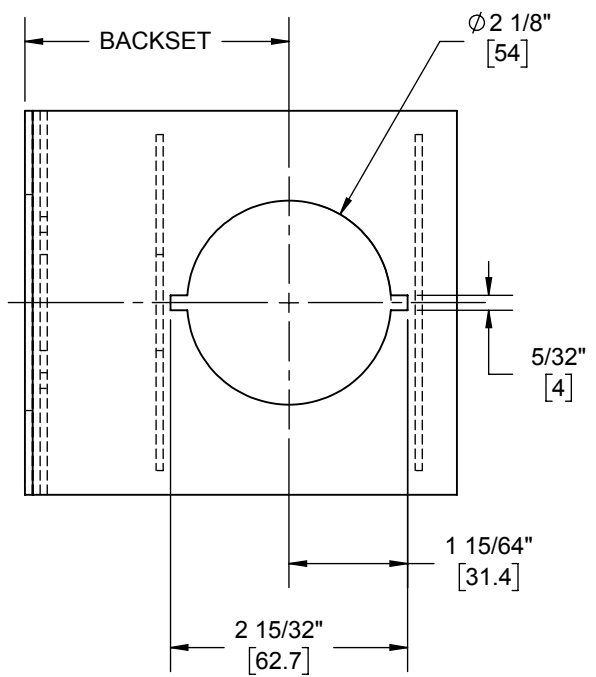
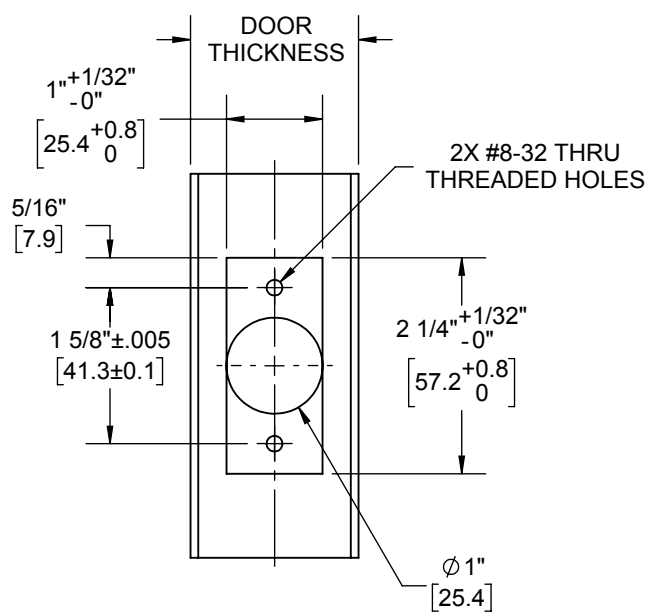
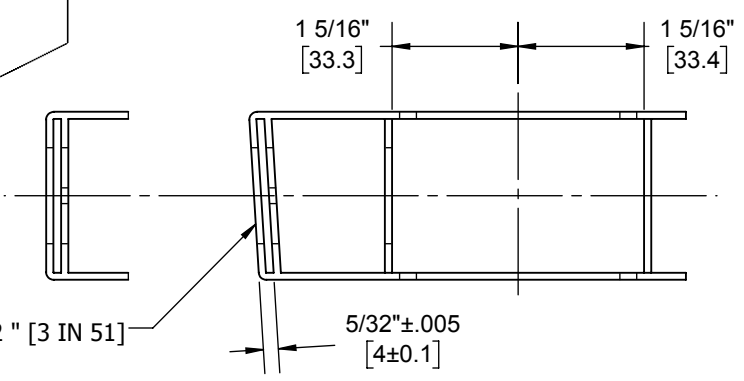
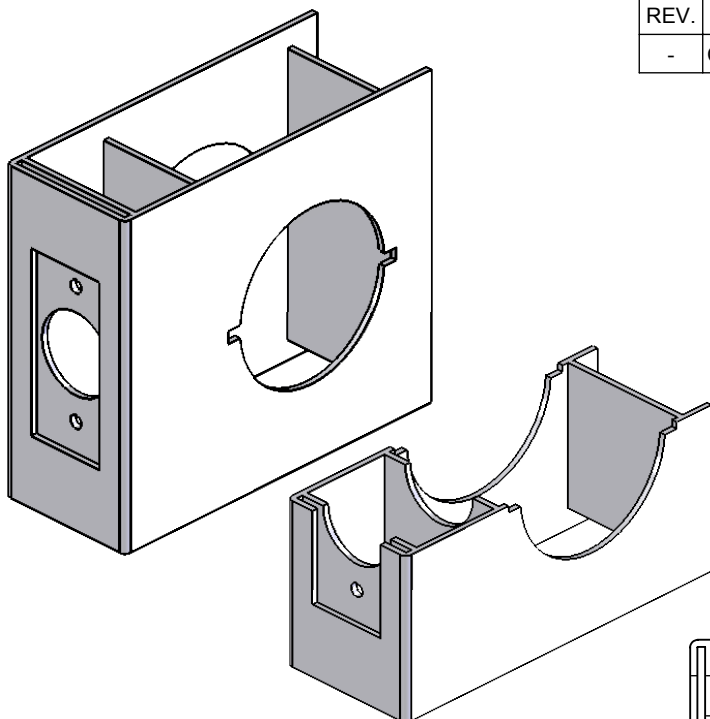


REV.	DESCRIPTION	ECO NO.	DATE
-	CREATED FOR 3300 SERIES TUBULAR LOCK	NPD12006	10/26/2017




- DOOR TYPE:** METAL, SQUARE OR BEVELED EDGE
- DOOR THICKNESS:** 1-3/8" [34.9] TO 1-3/4" [44.5]
- FACE PLATE:** SQUARE, 1" [25.4] WIDTH
- BACKSET:** ADJUSTABLE FOR 2-3/4" [69.9] OR 2-3/8" [60.3]

**NOTE:** NOT FOR USE WITH 3317 DUMMY LEVERSET

**TEMPLATE DERIVED FROM ANSI/BHMA A156.115-2014 STANDARD FOR HARDWARE PREPARATION IN STEEL DOORS AND FRAMES**

**DIMENSIONS IN BRACKETS [ ] ARE IN MILLIMETERS**

 <p><b>PROPRIETARY &amp; CONFIDENTIAL</b> THE INFORMATION CONTAINED IN THIS DRAWING IS THE SOLE PROPERTY OF HAGER COMPANIES. ANY REPRODUCTION IN PART OR AS A WHOLE WITHOUT THE WRITTEN PERMISSION OF HAGER COMPANIES IS PROHIBITED.</p>	<p>HAGER RESERVES THE RIGHT TO MAKE DESIGN CHANGES WITHOUT NOTICE. CALL HAGER ENGINEERING AT 1-800-325-9995 FOR THE LATEST REVISION DATE OF TEMPLATE.</p>	DRAWN	KJW	10/26/2017	<p>3310, 3340, 3353 <b>METAL DOOR PREP TEMPLATE</b></p>
		ENG. APPR.	MAM	10/26/2017	
		MATERIAL	Material <not specified>		
		FINISH	-		
DO NOT SCALE DRAWING		<p>TOLERANCES: FRACTIONAL: ±0.015" ANGULAR: MACH: ± 1° BEND: ±1° TWO PLACE DECIMAL: ±0.01" THREE PLACE DECIMAL: ±0.004"</p>			<p>SIZE <b>A</b> DWG. NO. T-LS01994 REV. -</p>
		SCALE: 1:2	WEIGHT: 0.13	SHEET 1 OF 1	