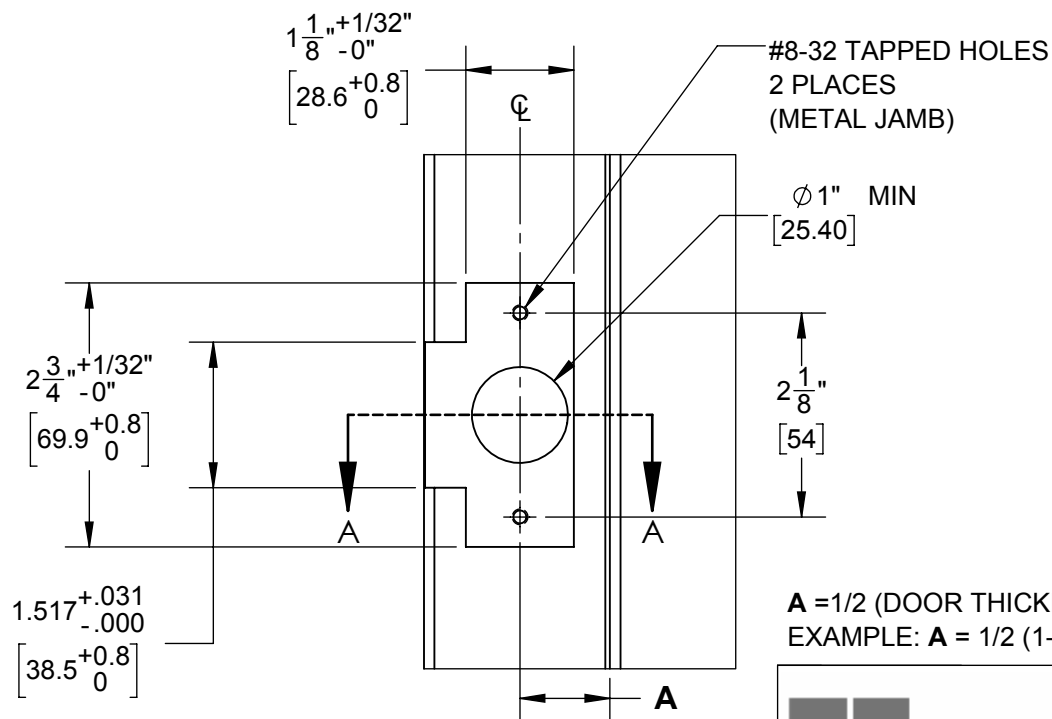
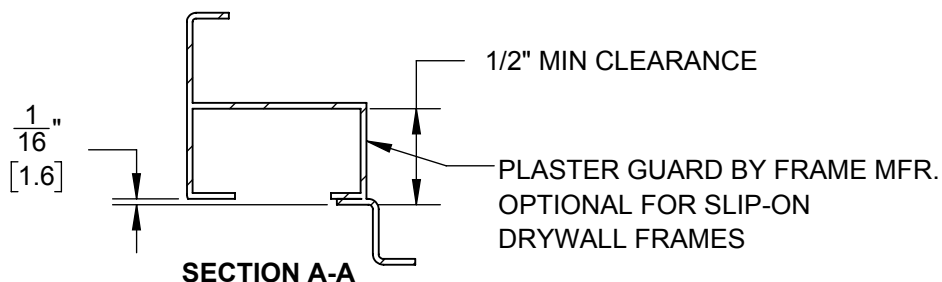


**NOTES:**

- 3300 LOCKSETS REQUIRE #8-32 FLAT HEAD UNDERCUT SCREWS FOR MOUNTING ON METAL FRAMES. THESE SCREWS ARE NOT INCLUDED IN THE STANDARD UNIT BOX. SEE CHART FOR AVAILABLE SCREWPACKS.
- CENTERLINE OF STRIKE MOUNTING HOLES MUST COINCIDE WITH THE CENTERLINE OF THE DOOR AS IT SITS IN THE FRAME.

REV.	DESCRIPTION	ECO NO.	DATE
02	CHANGED TEMPLATE TO CALL OUT WOOD AND METAL JAMB PREPS ON SEPERATE PAGES	OT18001	10/4/2018



**A = 1/2 (DOOR THICKNESS) + SILENCERS OR WEATHER STRIPPING**  
**EXAMPLE: A = 1/2 (1-3/4") + 1/8 = 1"**

**REQUIRED SCREWS:**  
 #8-32 x 1/4" UPHS

**AVAILABLE FROM HAGER:**  
 #8-32 x 3/4" UPHS (COMBO),  
 100 COUNT PACKS.

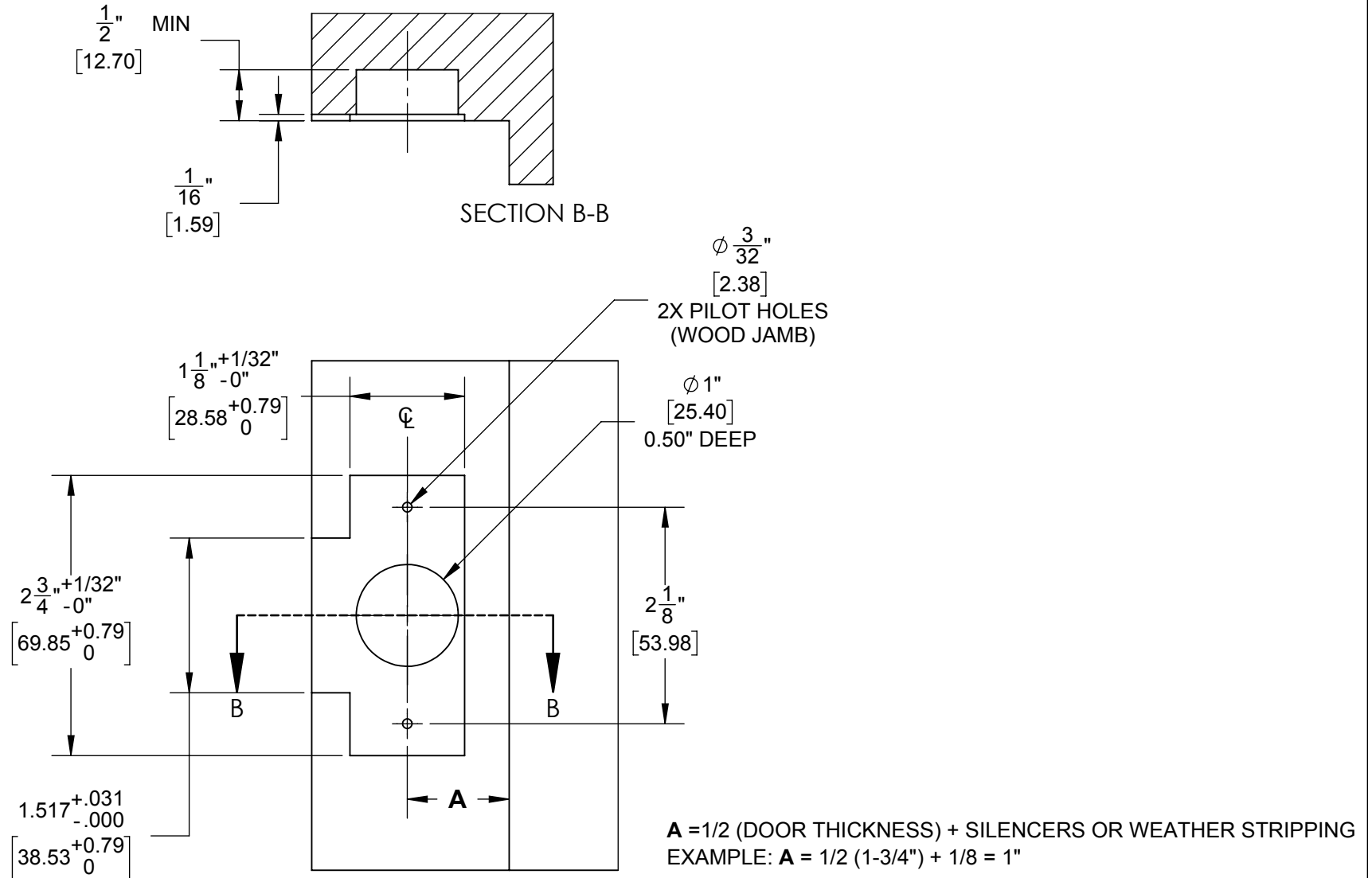
FINISH	PART #
US3/4/10	2-300-0087
US10B	2-300-0089
US15/26/26D	2-300-0090

	DRAWN	KJW	10/4/2018	<b>3300 SERIES</b> <b>METAL JAMB T-STRIKE TEMPLATE</b>
	ENG. APPR.	MAM	10/4/2018	
HAGER RESERVES THE RIGHT TO MAKE DESIGN CHANGES WITHOUT NOTICE. CALL HAGER ENGINEERING AT 1-800-325-9995 FOR THE LATEST REVISION DATE OF TEMPLATE.				SIZE DWG. NO. <b>A</b> T-LS01999
SCALE: 1:2    WEIGHT: 6.728				REV. <b>02</b> SHEET 1 OF 2

**NOTES:**

1. CENTERLINE OF STRIKE MOUNTING HOLES MUST COINCIDE WITH THE CENTERLINE OF THE DOOR AS IT SITS IN THE FRAME.

REV.	DESCRIPTION	ECO NO.	DATE
------	-------------	---------	------



DRAWN	KJW	10/2/2018
ENG. APPR.	MAM	10/4/2018
Q.A.		
HAGER RESERVES THE RIGHT TO MAKE DESIGN CHANGES WITHOUT NOTICE. CALL HAGER ENGINEERING AT 1-800-325-9995 FOR THE LATEST REVISION DATE OF TEMPLATE.		

3300 Series WOOD JAMB T-STRIKE TEMPLATE	
SIZE DWG. NO.	REV.
<b>A</b> T-LS01999	02
SCALE: 2:3	WEIGHT: 1.13
SHEET 2 OF 2	