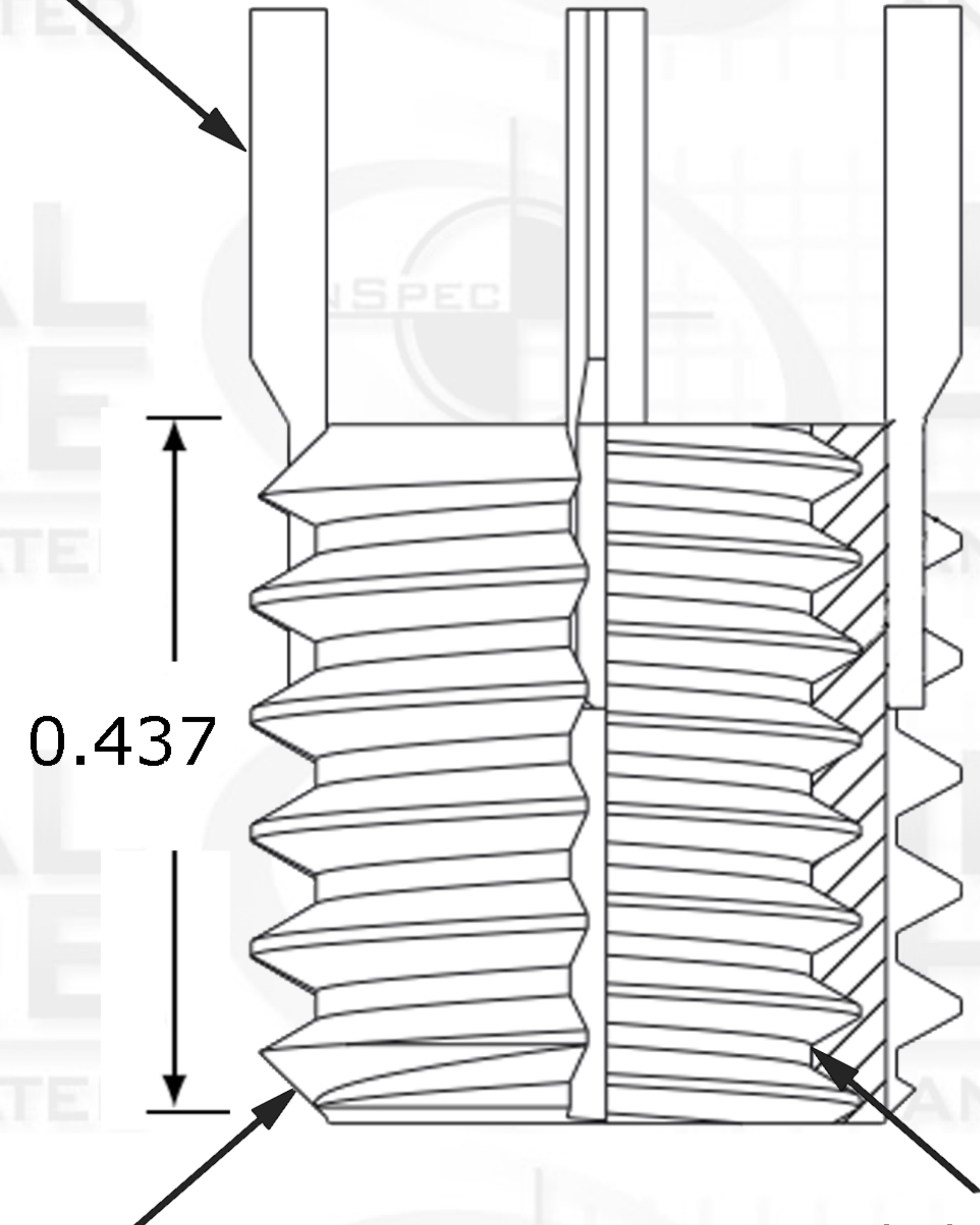


Key-Locking Non-Locking

REVISIONS		DATE	APPROVED
ZONE	REV.	DESCRIPTION	



Key



0.437

External Thread Pitch
9/16-12

Internal Thread Pitch
5/16-24

Suggested Drill Bit Size



0.5157 (33/64)

PROPRIETARY AND CONFIDENTIAL

THIS DRAWING AND IT'S CONTENT IS THE SOLE PROPERTY OF INDUSTRIAL HARDWARE & SPECIALTIES,INC.. ANY REPRODUCTION IN PART OR AS A WHOLE WITHOUT THE WRITTEN PERMISSION OF INDUSTRIAL HARDWARE & SPECIALTIES,INC. IS STRICTLY PROHIBITED.

Internal	NAME	DATE
TH. STANDARD: ANSI/ASME	DRAWN	
ACRONYM: UNF	CHECKED	
ROTATION: Right-Hand	ENG APPR.	
External	MFG APPR.	
TH. STANDARD: ANSI/ASME	Q.A.	
ACRONYM: UNC		
ROTATION: Right-Hand		
MATERIAL FINISH		
Stainless Steel Type 303	COMMENTS:	
PART NUMBER		
35L8C-6966-31-05		
NEXT ASSY	USED ON	
APPLICATION	DO NOT SCALE DRAWING	



**17-B KENTUCKY AVENUE
PATERSON, NEW JERSEY 07503
TEL: 973-684-4010 FAX: 973-684-3095
email: TechSupport@industrialhardware.com
www.industrialhardware.com**

SIZE	DWG. NO.	REV.
A		
SCALE:1:8	WEIGHT:	SHEET 1 OF 1