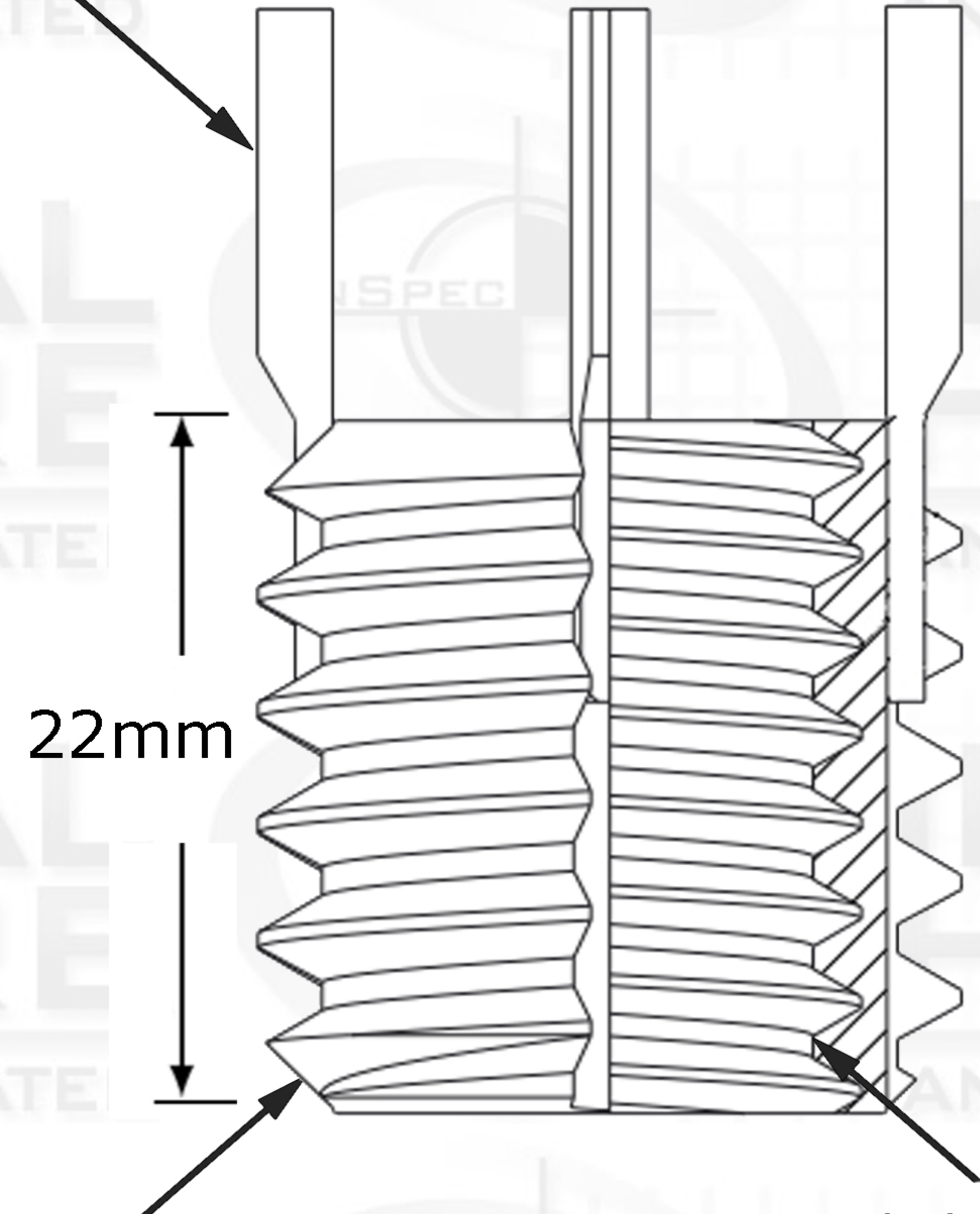


# Key-Locking Non-Locking

REVISIONS		DATE	APPROVED
ZONE	REV.	DESCRIPTION	



Key



22mm

External Thread Pitch  
M22 x 1.5

Internal Thread Pitch  
M16 x 2

Suggested Drill Bit Size



0.8125 (13/16)

## PROPRIETARY AND CONFIDENTIAL

THIS DRAWING AND IT'S CONTENT IS THE SOLE PROPERTY OF INDUSTRIAL HARDWARE & SPECIALTIES,INC.. ANY REPRODUCTION IN PART OR AS A WHOLE WITHOUT THE WRITTEN PERMISSION OF INDUSTRIAL HARDWARE & SPECIALTIES,INC. IS STRICTLY PROHIBITED.

		<b>Internal</b>	NAME	DATE
		TH. STANDARD: ISO Metric	DRAWN	
		ACRONYM: ISO	CHECKED	
		ROTATION: Right-Hand	ENG APPR.	
		<b>External</b>	MFG APPR.	
		TH. STANDARD: ISO Metric	Q.A.	
		ACRONYM: ISO		
		ROTATION: Right-Hand		
		MATERIAL FINISH	COMMENTS:	
		Stainless Steel Type 303		
NEXT ASSY	USED ON	PART NUMBER		
		35L8C-687W-C16N		
APPLICATION		DO NOT SCALE DRAWING		



**17-B KENTUCKY AVENUE  
PATERSON, NEW JERSEY 07503  
TEL: 973-684-4010 FAX: 973-684-3095  
email: TechSupport@industrialhardware.com  
www.industrialhardware.com**

SIZE	DWG. NO.	REV.
<b>A</b>		
SCALE:1:8	WEIGHT:	SHEET 1 OF 1