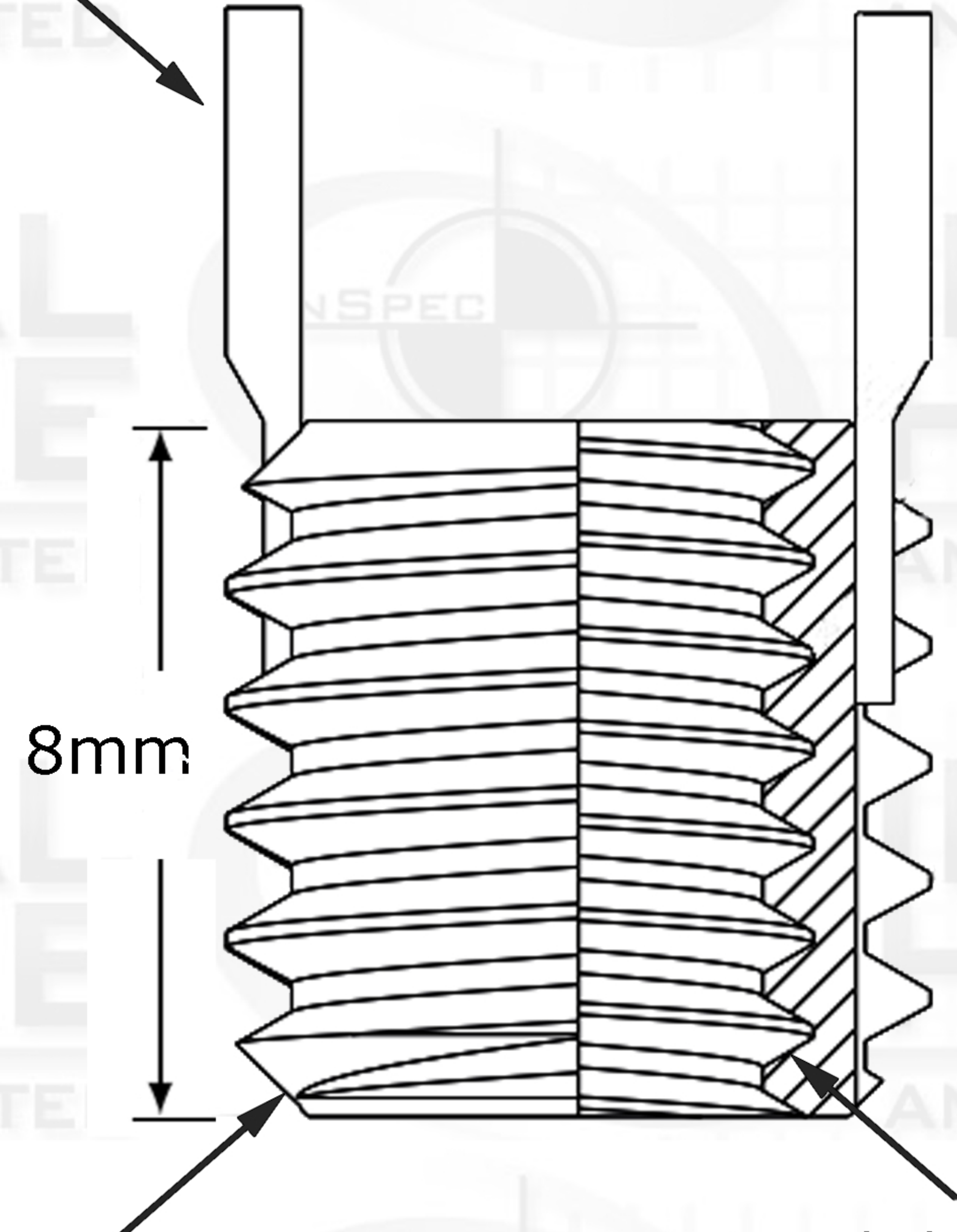


# Key-Locking Non-Locking

ZONE		REV.	REVISIONS	DATE	APPROVED
			DESCRIPTION		



Key



8mm

External Thread Pitch  
M8 x 1.25

Internal Thread Pitch  
M4 x 0.7

Suggested Drill Bit Size



0.2720 (Letter I)

## PROPRIETARY AND CONFIDENTIAL

THIS DRAWING AND IT'S CONTENT IS THE SOLE PROPERTY OF INDUSTRIAL HARDWARE & SPECIALTIES,INC.. ANY REPRODUCTION IN PART OR AS A WHOLE WITHOUT THE WRITTEN PERMISSION OF INDUSTRIAL HARDWARE & SPECIALTIES,INC. IS STRICTLY PROHIBITED.

		<b>Internal</b>		NAME	DATE
		TH. STANDARD: ISO Metric	DRAWN		
		ACRONYM: ISO	CHECKED		
		ROTATION: Right-Hand	ENG APPR.		
		<b>External</b>	MFG APPR.		
		TH. STANDARD: ISO Metric	Q.A.		
		ACRONYM: ISO			
		ROTATION: Right-Hand			
		MATERIAL FINISH	COMMENTS:		
		Stainless Steel Type 303			
NEXT ASSY	USED ON	PART NUMBER			
		35L8C-687W-B40C-05			
APPLICATION		DO NOT SCALE DRAWING			



17-B KENTUCKY AVENUE  
PATERSON, NEW JERSEY 07503  
TEL: 973-684-4010 FAX: 973-684-3095  
email: TechSupport@industrialhardware.com  
www.industrialhardware.com

SIZE	DWG. NO.	REV.
<b>A</b>		
SCALE:1:8	WEIGHT:	SHEET 1 OF 1