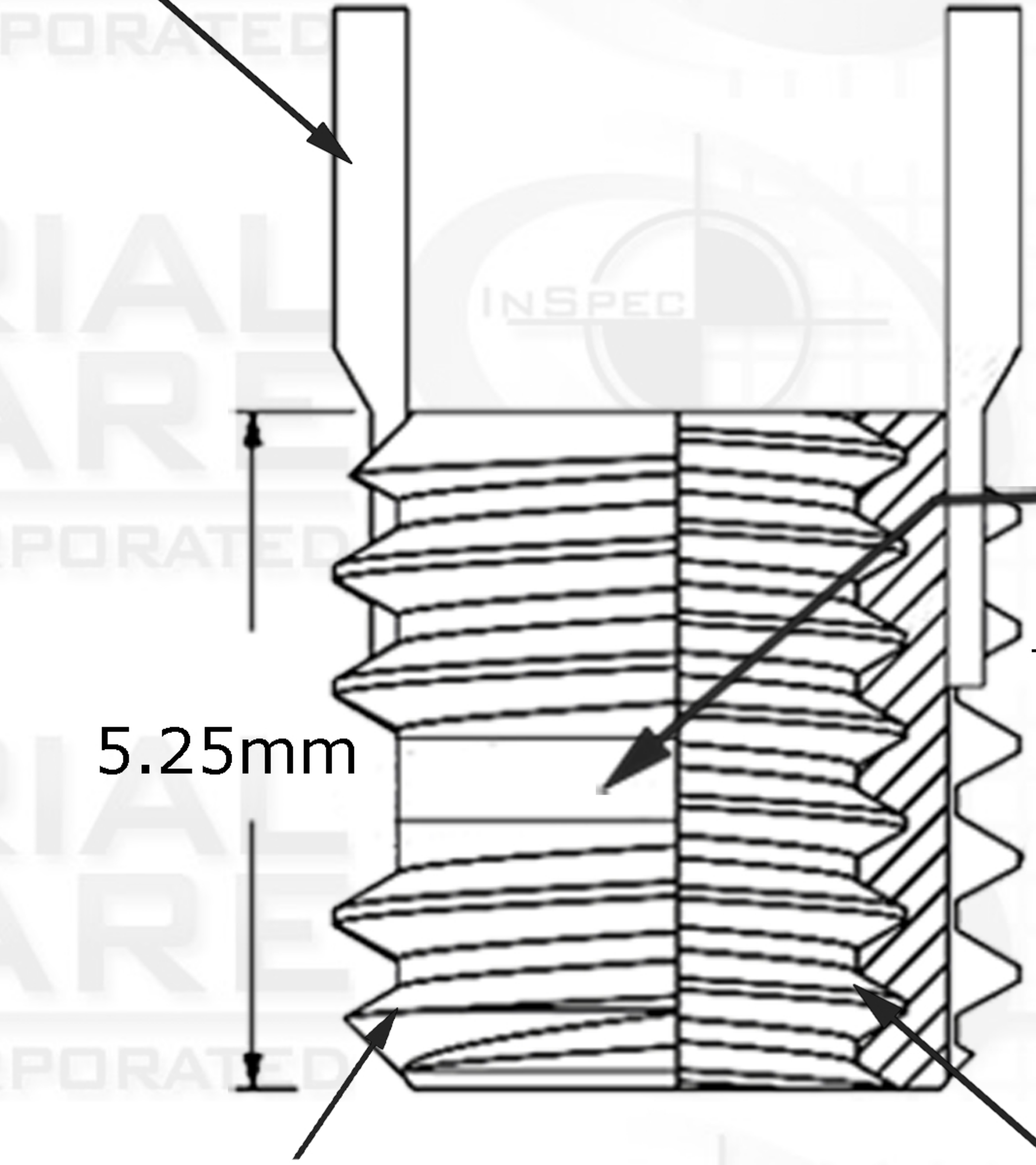


# Key-Locking Internal Locking

| REVISIONS |      | DATE        | APPROVED |
|-----------|------|-------------|----------|
| ZONE      | REV. | DESCRIPTION |          |
|           |      |             |          |
|           |      |             |          |



Key



Swaged in Groove to Produce Internal Thread Lock

5.25mm

External Thread Pitch  
M6 x 0.75

Internal Thread Pitch  
M4 x 0.7

Suggested Drill Bit Size



0.2188 (7/32)

## PROPRIETARY AND CONFIDENTIAL

THIS DRAWING AND IT'S CONTENT IS THE SOLE PROPERTY OF INDUSTRIAL HARDWARE & SPECIALTIES,INC.. ANY REPRODUCTION IN PART OR AS A WHOLE WITHOUT THE WRITTEN PERMISSION OF INDUSTRIAL HARDWARE & SPECIALTIES,INC. IS STRICTLY PROHIBITED.

|             |         |                           |           |           |      |
|-------------|---------|---------------------------|-----------|-----------|------|
|             |         | <b>Internal</b>           |           | NAME      | DATE |
|             |         | TH. STANDARD : ISO Metric |           | DRAWN     |      |
|             |         | ACRONYM: ISO              |           | CHECKED   |      |
|             |         | ROTATION: Right-Hand      |           | ENG APPR. |      |
|             |         | <b>External</b>           |           | MFG APPR. |      |
|             |         | TH. STANDARD : ISO Metric |           | Q.A.      |      |
|             |         | ACRONYM: ISO              |           |           |      |
|             |         | ROTATION: Right-Hand      |           |           |      |
|             |         | MATERIAL FINISH           |           |           |      |
|             |         | Stainless Steel Type 303  | COMMENTS: |           |      |
| NEXT ASSY   | USED ON | PART NUMBER               |           |           |      |
|             |         | 35L8C-67R8-B40C-0A        |           |           |      |
| APPLICATION |         | DO NOT SCALE DRAWING      |           |           |      |



17-B KENTUCKY AVENUE  
PATERSON, NEW JERSEY 07503  
TEL: 973-684-4010 FAX: 973-684-3095  
email: TechSupport@industrialhardware.com  
www.industrialhardware.com

|           |          |              |
|-----------|----------|--------------|
| SIZE      | DWG. NO. | REV.         |
| A         |          |              |
| SCALE:1:8 | WEIGHT:  | SHEET 1 OF 1 |