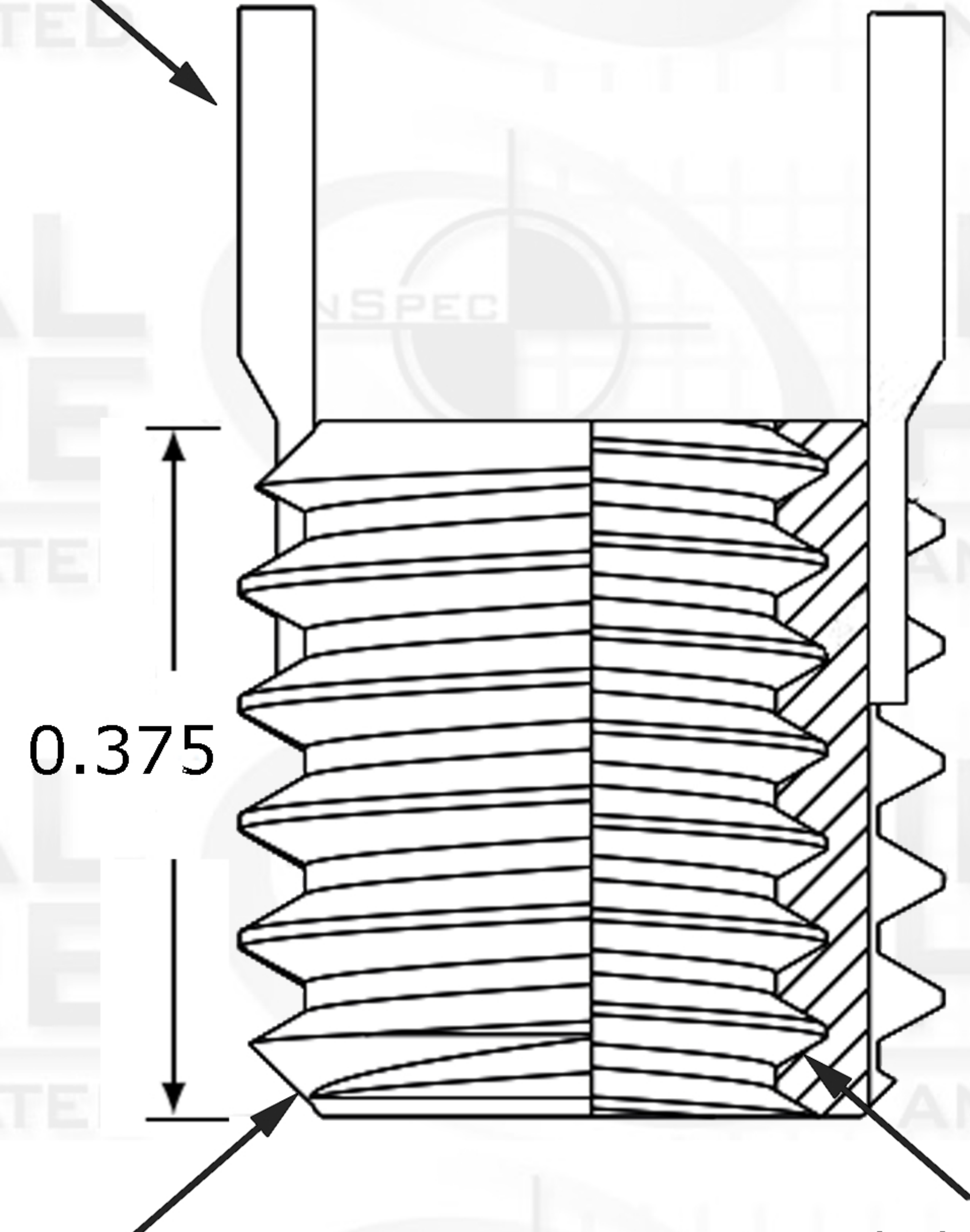


# Key-Locking Non-Locking

| ZONE |  | REV. | REVISIONS   | DATE | APPROVED |
|------|--|------|-------------|------|----------|
|      |  |      | DESCRIPTION |      |          |
|      |  |      |             |      |          |



Key



0.375

External Thread Pitch  
1/2-13

Internal Thread Pitch  
1/4-28

Suggested Drill Bit Size



0.4532 (29/64)

## PROPRIETARY AND CONFIDENTIAL

THIS DRAWING AND IT'S CONTENT IS THE SOLE PROPERTY OF INDUSTRIAL HARDWARE & SPECIALTIES,INC.. ANY REPRODUCTION IN PART OR AS A WHOLE WITHOUT THE WRITTEN PERMISSION OF INDUSTRIAL HARDWARE & SPECIALTIES,INC. IS STRICTLY PROHIBITED.

|             |         |                         |  |           |      |
|-------------|---------|-------------------------|--|-----------|------|
|             |         | <b>Internal</b>         |  | NAME      | DATE |
|             |         | TH. STANDARD: ANSI/ASME |  | DRAWN     |      |
|             |         | ACRONYM: UNF            |  | CHECKED   |      |
|             |         | ROTATION: Right-Hand    |  | ENG APPR. |      |
|             |         | <b>External</b>         |  | MFG APPR. |      |
|             |         | TH. STANDARD: ANSI/ASME |  | Q.A.      |      |
|             |         | ACRONYM: UNC            |  |           |      |
|             |         | ROTATION: Right-Hand    |  |           |      |
|             |         | MATERIAL FINISH         |  |           |      |
|             |         | Carbon Steel C1215      |  |           |      |
| NEXT ASSY   | USED ON | PART NUMBER             |  | COMMENTS: |      |
|             |         | 35L8C-4RBP-25           |  |           |      |
| APPLICATION |         | DO NOT SCALE DRAWING    |  |           |      |



17-B KENTUCKY AVENUE  
PATERSON, NEW JERSEY 07503  
TEL: 973-684-4010 FAX: 973-684-3095  
email: TechSupport@industrialhardware.com  
www.industrialhardware.com

|           |          |              |
|-----------|----------|--------------|
| SIZE      | DWG. NO. | REV.         |
| <b>A</b>  |          |              |
| SCALE:1:8 | WEIGHT:  | SHEET 1 OF 1 |