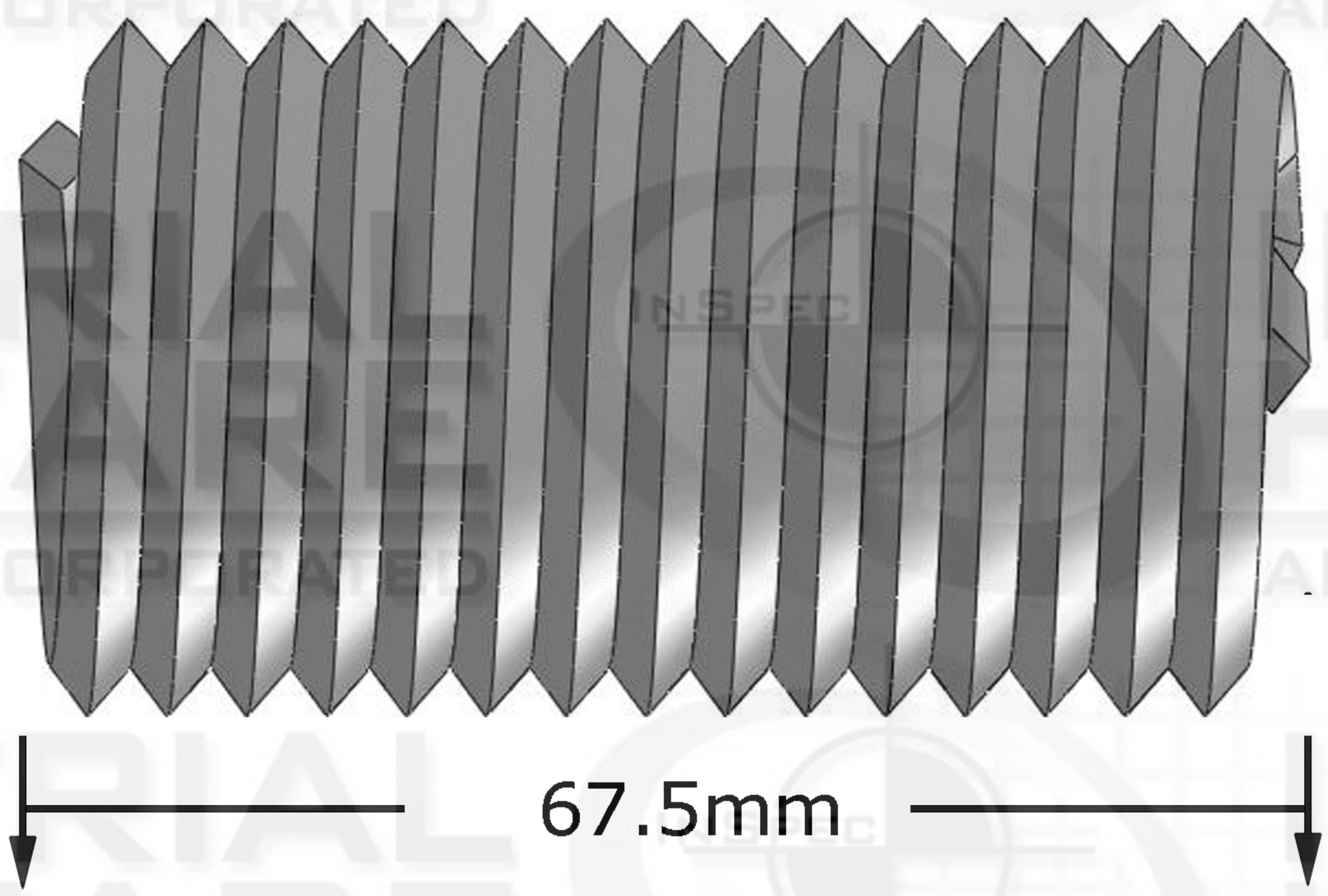
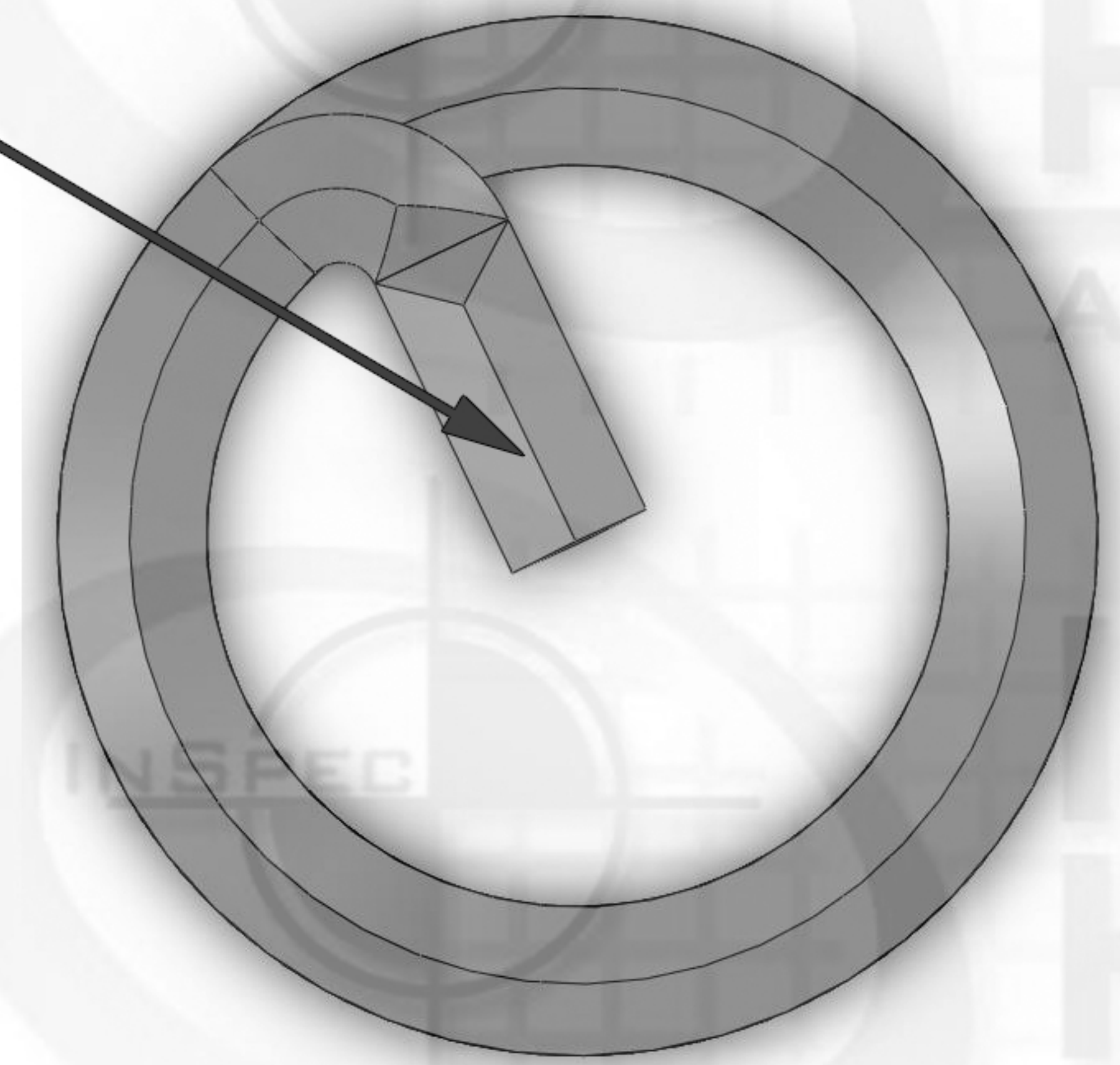
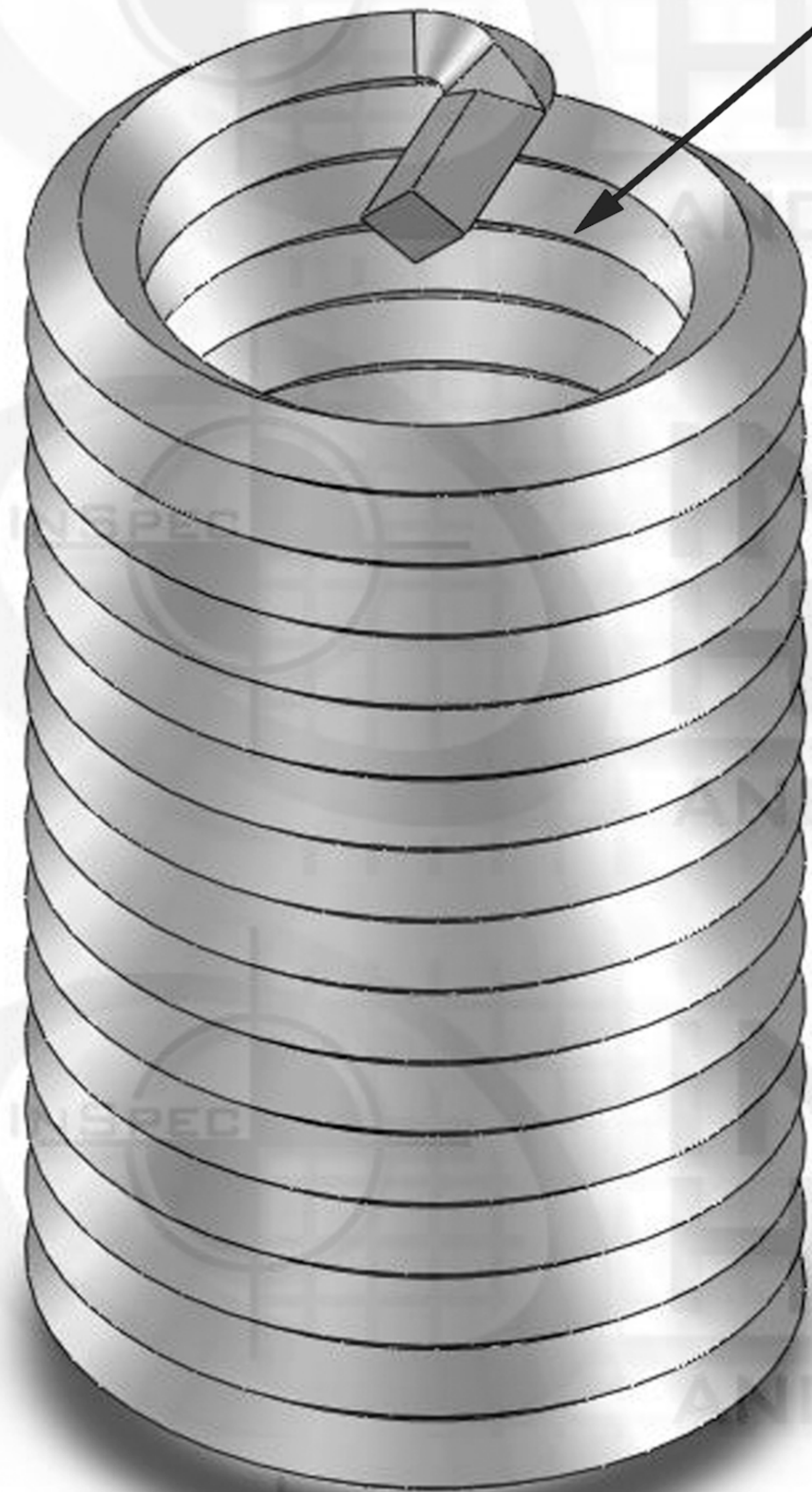



# WireSert Free-Running

Diameter Thread Pitch

M45 x 2

Tang



Suggested Drill Bit Size  1.7969 (1-51/64)

67.5mm

## PROPRIETARY AND CONFIDENTIAL

THIS DRAWING AND IT'S CONTENT IS THE SOLE PROPERTY OF INDUSTRIAL HARDWARE & SPECIALTIES, INC.. ANY REPRODUCTION IN PART OR AS A WHOLE WITHOUT THE WRITTEN PERMISSION OF INDUSTRIAL HARDWARE & SPECIALTIES, INC. IS STRICTLY PROHIBITED.

TH. STANDARD: ISO Metric	ACRONYM: ISO	ROTATION: Right-Hand	MATERIAL FINISH: Stainless Steel 18-8	PART NUMBER: 35L7C-C84E-C45N	DO NOT SCALE DRAWING
NEXT ASSY	USED ON	APPLICATION			

NAME	DATE
DRAWN	
CHECKED	
ENG APPR.	
MFG APPR.	
Q.A.	
COMMENTS:	



**INDUSTRIAL HARDWARE**  
AND SPECIALTIES INCORPORATED

**17-B KENTUCKY AVENUE**  
**PATERSON, NEW JERSEY 07503**  
**TEL: 973-684-4010 FAX: 973-684-3095**  
**email: TechSupport@industrialhardware.com**  
**www.industrialhardware.com**

SIZE	DWG. NO.	REV.
<b>A</b>		
SCALE: 1:8	WEIGHT: 0.402	SHEET 1 OF 1

ZONE		REV.	DESCRIPTION	DATE	APPROVED