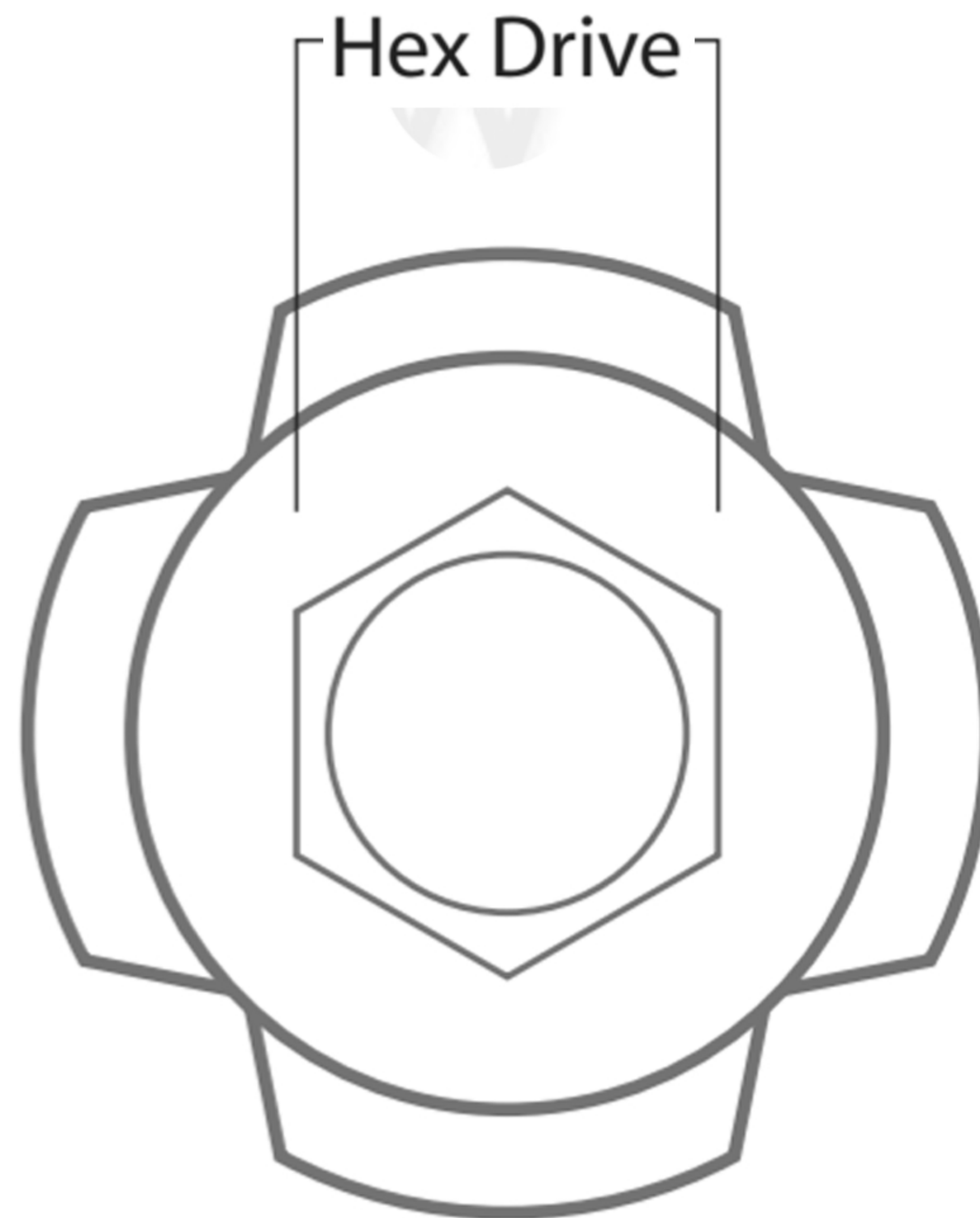


# BoardSert Flush Hex

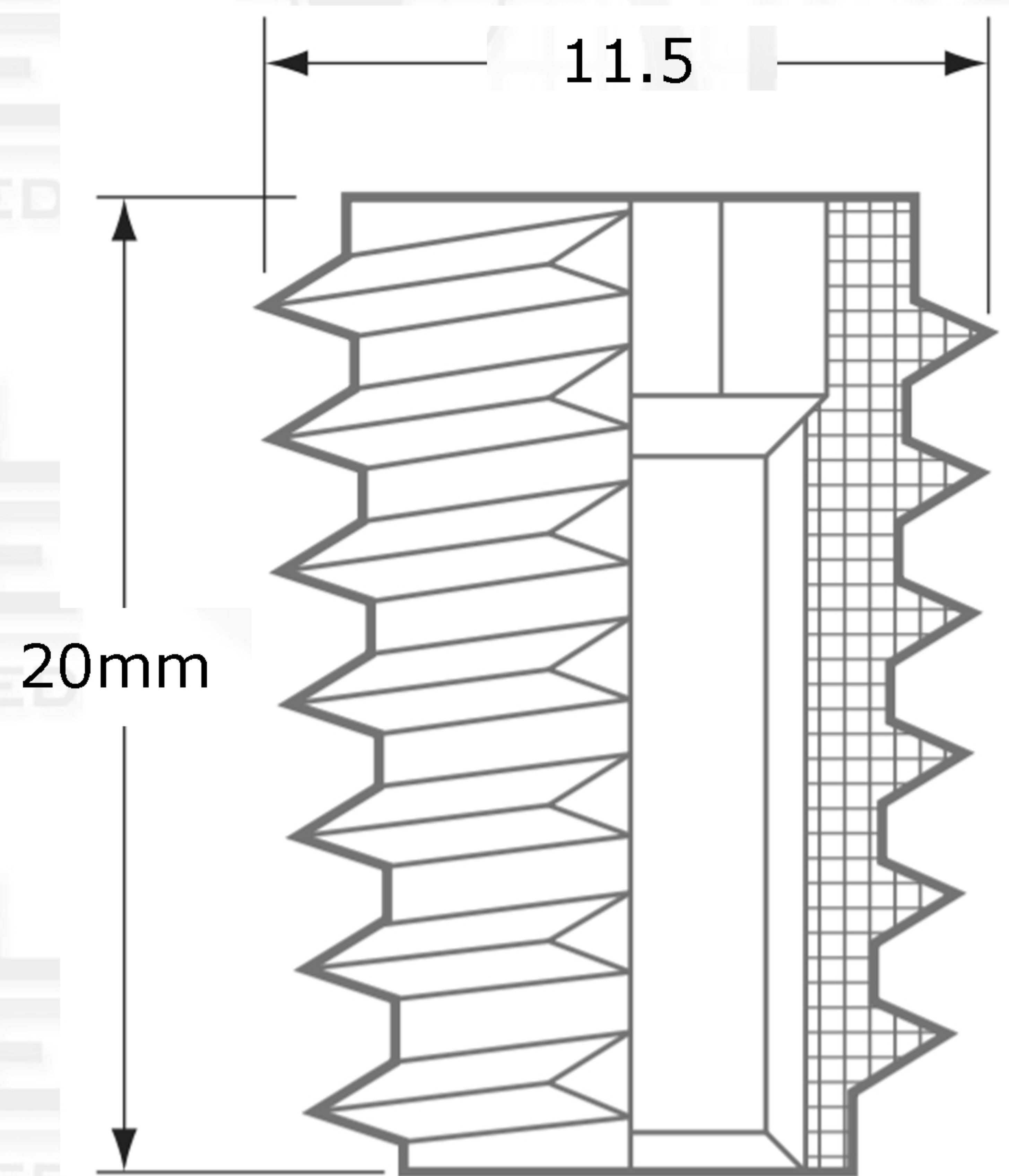
Diameter Thread Pitch

M6 x 1

Hex Drive



ZONE		REV.	REVISIONS	DATE	APPROVED
			DESCRIPTION		



Suggested Drill Bit Size



0.3543 (9mm)

## PROPRIETARY AND CONFIDENTIAL

THIS DRAWING AND IT'S CONTENT IS THE SOLE PROPERTY OF INDUSTRIAL HARDWARE & SPECIALTIES,INC.. ANY REPRODUCTION IN PART OR AS A WHOLE WITHOUT THE WRITTEN PERMISSION OF INDUSTRIAL HARDWARE & SPECIALTIES,INC. IS STRICTLY PROHIBITED.

				NAME	DATE
			DRAWN		
			CHECKED		
			ENG APPR.		
			MFG APPR.		
			Q.A.		
			COMMENTS:		
NEXT ASSY	USED ON	35L6C-TZ3E-B60F20-1J			
APPLICATION	DO NOT SCALE DRAWING				

TH. STANDARD: ISO Metric  
 ACRONYM: ISO  
 ROTATION: Right-Hand  
 MATERIAL FINISH  
 Die-Cast Zinc Alloy  
 PART NUMBER



**INDUSTRIAL HARDWARE**  
 AND SPECIALTIES INCORPORATED  
 17-B KENTUCKY AVENUE  
 PATERSON, NEW JERSEY 07503  
 TEL: 973-684-4010 FAX: 973-684-3095  
 email: TechSupport@industrialhardware.com  
 www.industrialhardware.com

SIZE	DWG. NO.	REV.
<b>A</b>		
SCALE:1:8	WEIGHT:	SHEET 1 OF 1