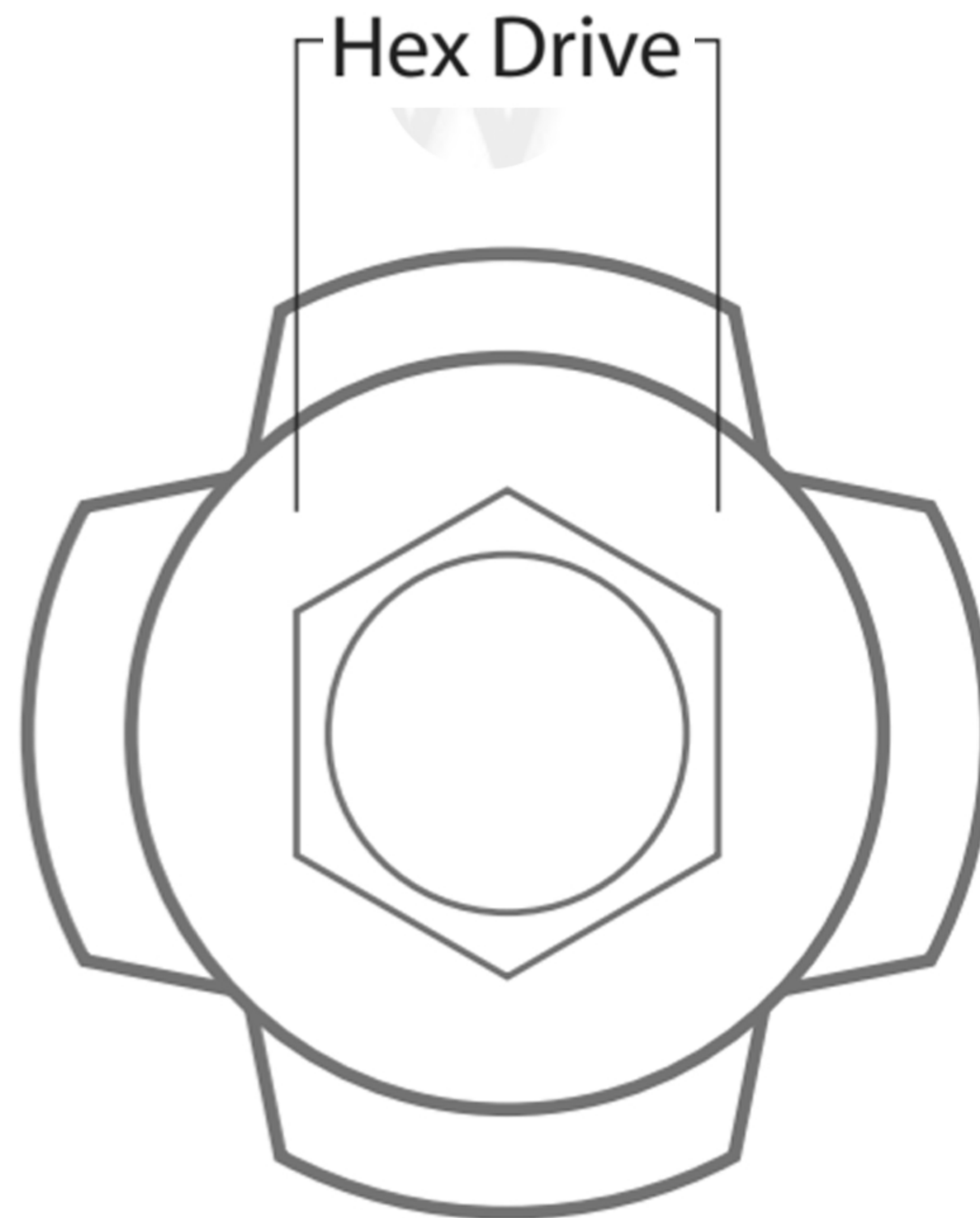


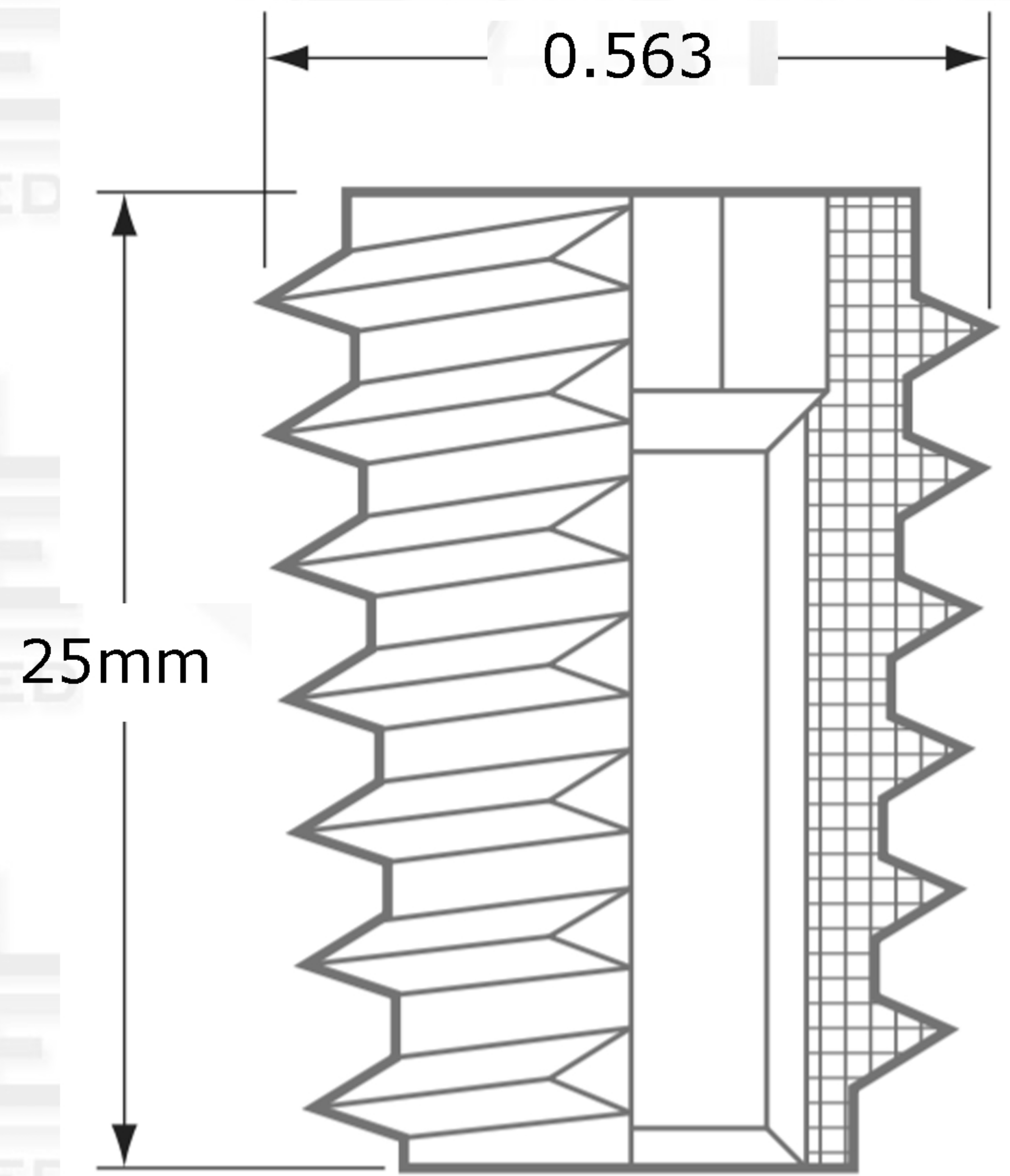
# BoardSert Flush Hex

Diameter Thread Pitch

5/16-18



ZONE		REV.	REVISIONS	DATE	APPROVED
			DESCRIPTION		



Suggested Drill Bit Size

 0.4331 (11mm)

## PROPRIETARY AND CONFIDENTIAL

THIS DRAWING AND IT'S CONTENT IS THE SOLE PROPERTY OF INDUSTRIAL HARDWARE & SPECIALTIES,INC.. ANY REPRODUCTION IN PART OR AS A WHOLE WITHOUT THE WRITTEN PERMISSION OF INDUSTRIAL HARDWARE & SPECIALTIES,INC. IS STRICTLY PROHIBITED.

				NAME	DATE
			DRAWN		
			CHECKED		
			ENG APPR.		
			MFG APPR.		
			Q.A.		
			COMMENTS:		
NEXT ASSY	USED ON	35L6C-TZ28-3125-0T			
APPLICATION		DO NOT SCALE DRAWING			

TH. STANDARD: ANSI/ASME  
 ACRONYM: UNC  
 ROTATION: Right-Hand  
 MATERIAL FINISH  
 Die-Cast Zinc Alloy  
 PART NUMBER  
 35L6C-TZ28-3125-0T



**17-B KENTUCKY AVENUE**  
**PATERSON, NEW JERSEY 07503**  
**TEL: 973-684-4010 FAX: 973-684-3095**  
**email: TechSupport@industrialhardware.com**  
**www.industrialhardware.com**

SIZE	DWG. NO.	REV.
<b>A</b>		
SCALE:1:8	WEIGHT:	SHEET 1 OF 1