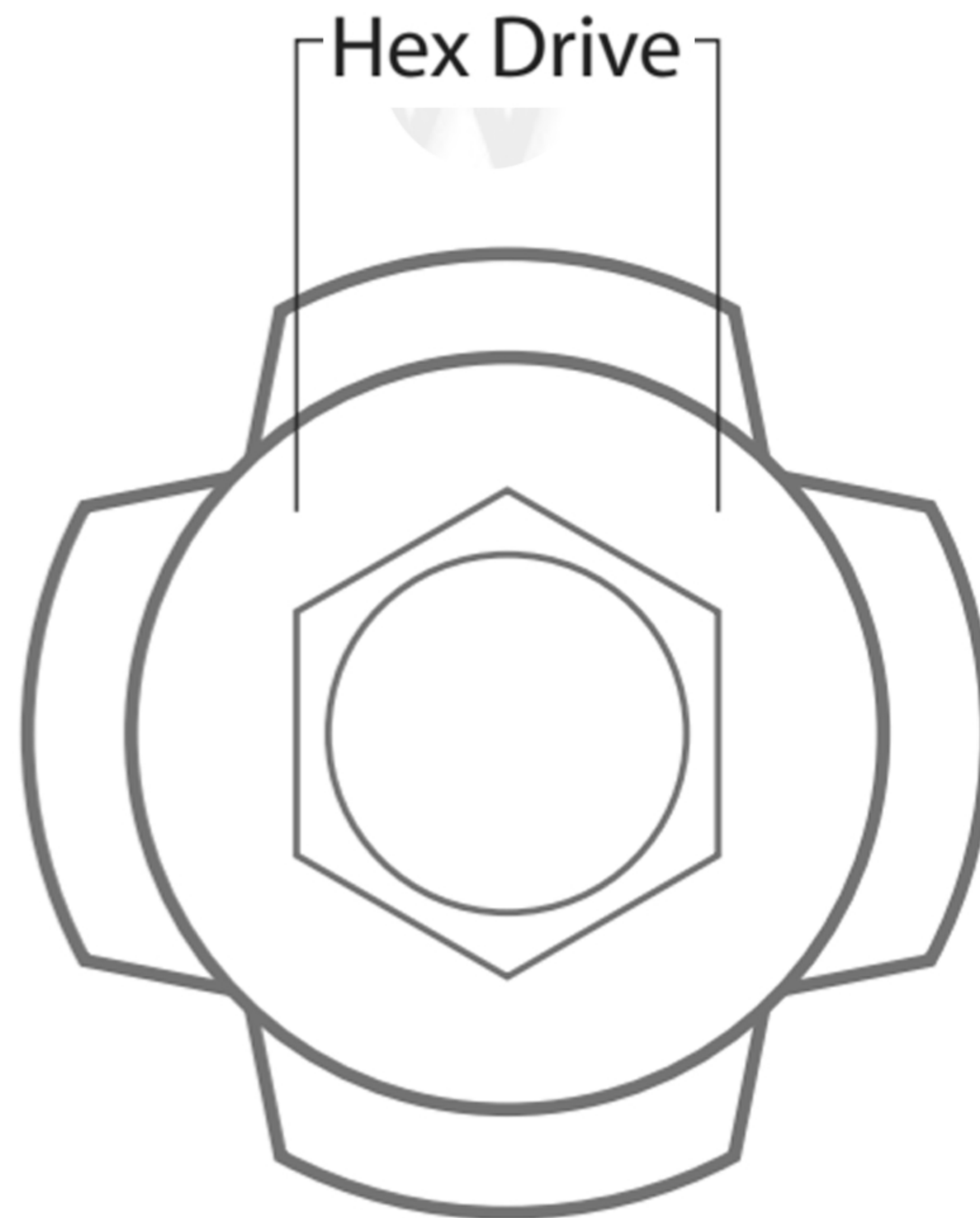


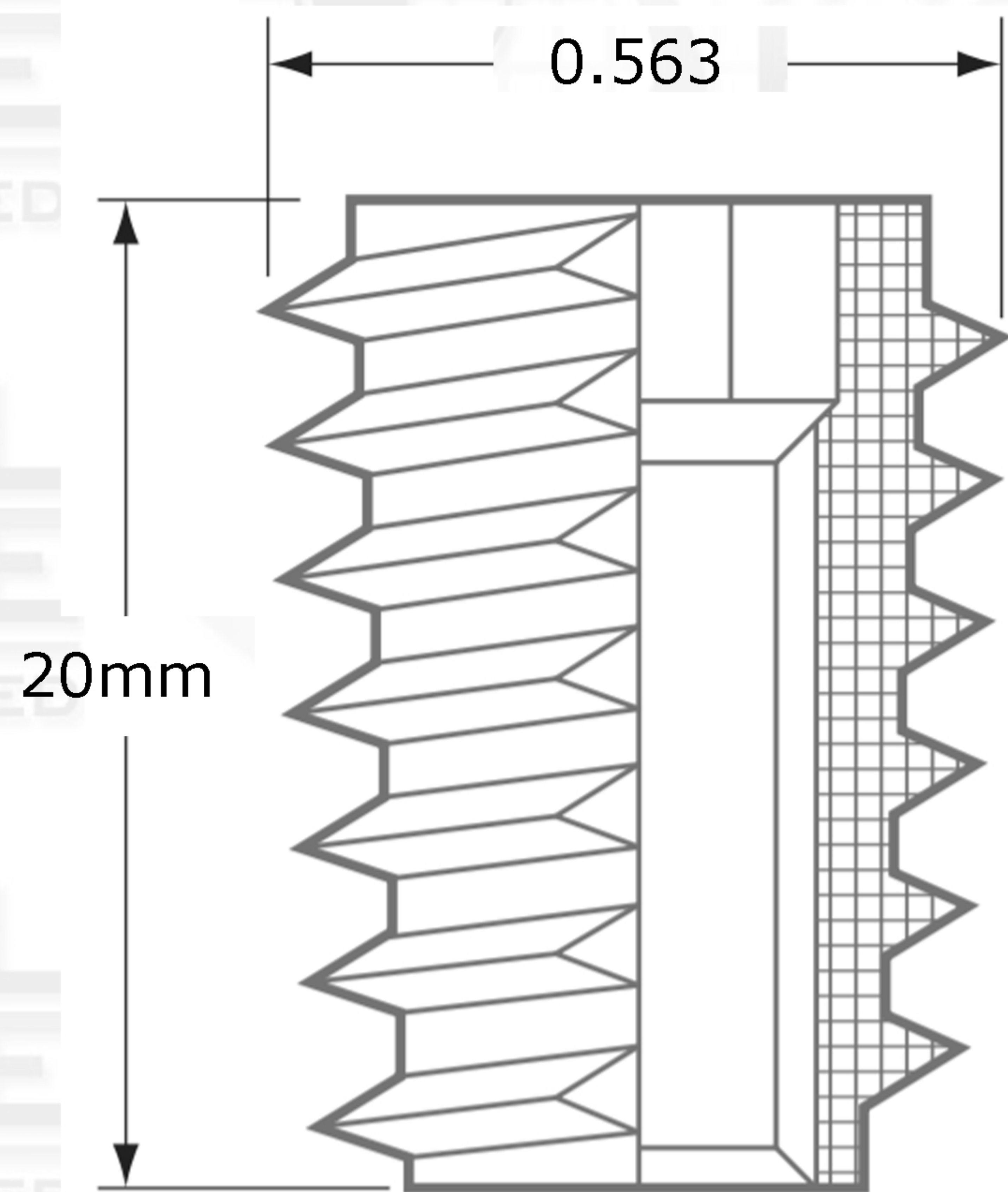
BoardSert Flush Hex

Diameter Thread Pitch

5/16-18



ZONE		REV.	REVISIONS	DATE	APPROVED
			DESCRIPTION		



Suggested Drill Bit Size



0.4331 (11mm)

PROPRIETARY AND CONFIDENTIAL

THIS DRAWING AND IT'S CONTENT IS THE SOLE PROPERTY OF INDUSTRIAL HARDWARE & SPECIALTIES,INC.. ANY REPRODUCTION IN PART OR AS A WHOLE WITHOUT THE WRITTEN PERMISSION OF INDUSTRIAL HARDWARE & SPECIALTIES,INC. IS STRICTLY PROHIBITED.

				NAME	DATE
			DRAWN		
			CHECKED		
			ENG APPR.		
			MFG APPR.		
			Q.A.		
			COMMENTS:		
NEXT ASSY	USED ON	35L6C-TZ28-3120-1J			
APPLICATION		DO NOT SCALE DRAWING			

TH. STANDARD: ANSI/ASME
 ACRONYM: UNC
 ROTATION: Right-Hand
 MATERIAL FINISH
 Die-Cast Zinc Alloy
 PART NUMBER
 35L6C-TZ28-3120-1J



INDUSTRIAL HARDWARE
 AND SPECIALTIES INCORPORATED

17-B KENTUCKY AVENUE
 PATERSON, NEW JERSEY 07503
 TEL: 973-684-4010 FAX: 973-684-3095
 email: TechSupport@industrialhardware.com
 www.industrialhardware.com

SIZE	DWG. NO.	REV.
A		
SCALE:1:8	WEIGHT:	SHEET 1 OF 1