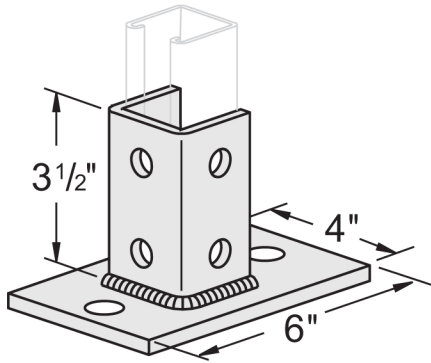


# POST BASE

## CHANNEL FITTINGS

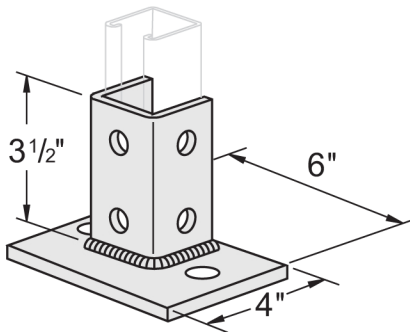
**6 HOLE**



**4768**

10/CTN  
257 LBS/100

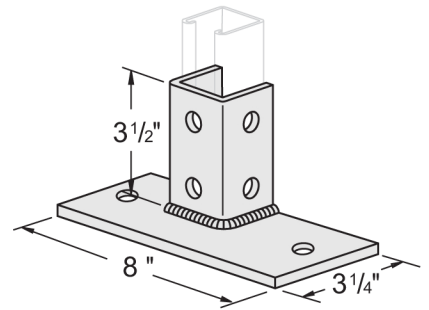
**6 HOLE FLUSH MOUNT**



**4769**

10/CTN  
257 LBS/100

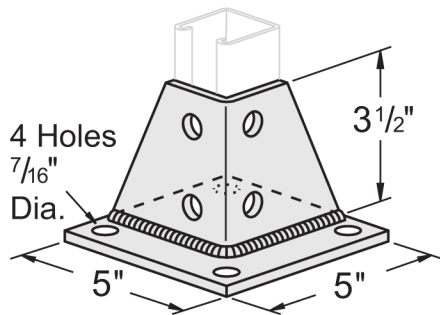
**6 HOLE FLUSH MOUNT**



**4770**

10/CTN  
312 LBS/100

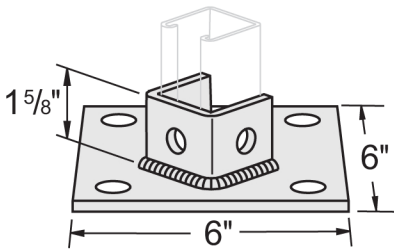
**4 HOLE**



**4767**

5/CTN  
290 LBS/100

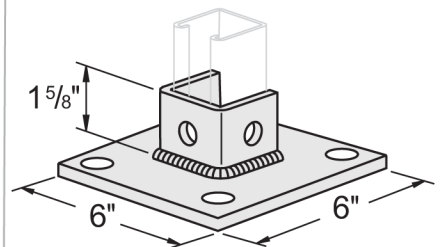
**3 HOLE ANGLED**



**4771**

10/CTN  
275 LBS/100

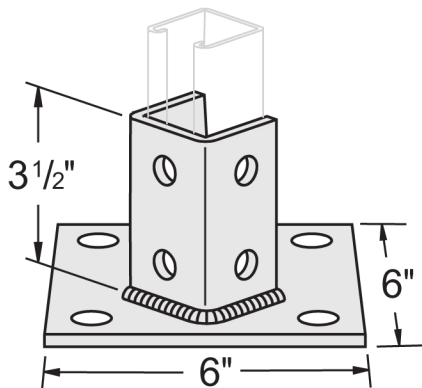
**3 HOLE**



**4772**

10/CTN  
275 LBS/100

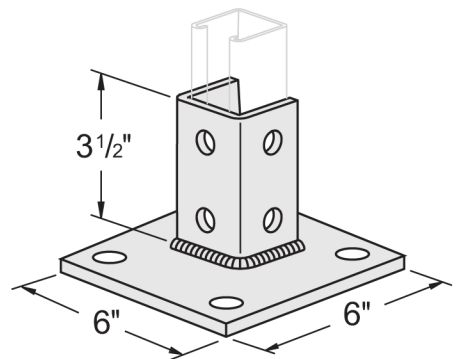
**6 HOLE ANGLED**



**4773**

5/CTN  
333 LBS/100

**6 HOLE**



**4774**

5/CTN  
333 LBS/100

UNLESS SPECIFIED, MATERIAL IS 1-5/8" WIDE. HOLES ARE 9/16" DIAMETER, 13/16" CENTER TO EDGE, & SPACED 1-7/8" ON CENTER. STANDARD FINISH - EG ALSO AVAILABLE: STAINLESS STEEL & HOT DIPPED GALVANIZED

1.13