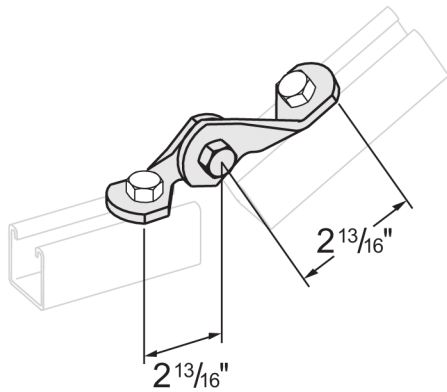


ANGLE

CHANNEL FITTINGS

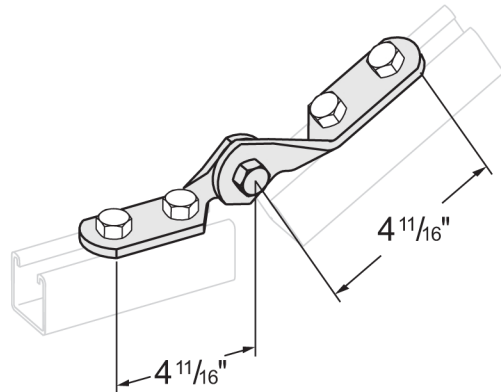
2 HOLE ADJUSTABLE HINGE



4681

10/CTN
89 LBS/100

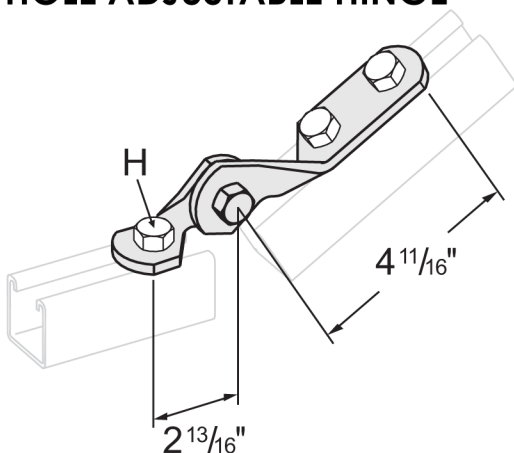
4 HOLE ADJUSTABLE HINGE



4683

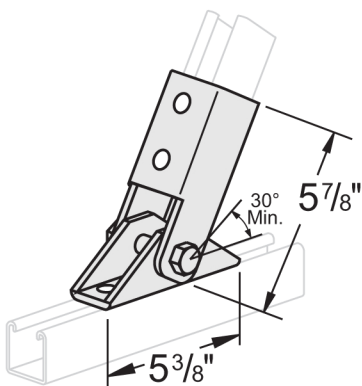
10/CTN
120 LBS/100

3 HOLE ADJUSTABLE HINGE



P/N	H	CTN. QTY.	LBS/100
46823	3/8"	10	106
46824	1/2"		104
46825	5/8"		102
46826	3/4"		100

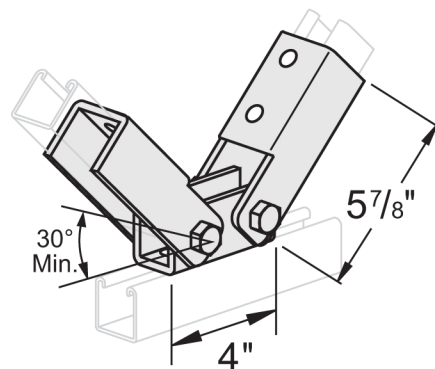
ADJ. SINGLE CHANNEL BRACE



4684

5/CTN
250 LBS/100

ADJ. DOUBLE CHANNEL BRACE



4685

5/CTN
500 LBS/100

UNLESS SPECIFIED, MATERIAL IS 1-5/8" WIDE. HOLES ARE 9/16" DIAMETER, 13/16" CENTER TO EDGE, & SPACED 1-7/8" ON CENTER. STANDARD FINISH - EG ALSO AVAILABLE: STAINLESS STEEL & HOT DIPPED GALVANIZED

1.13