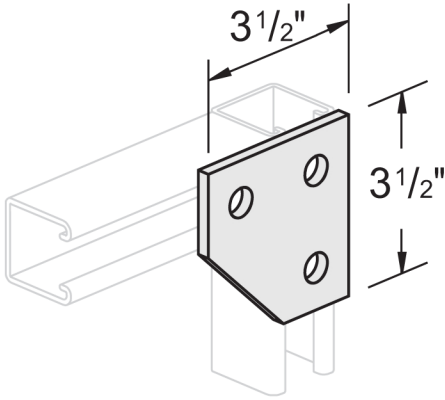


FLAT

CHANNEL FITTINGS

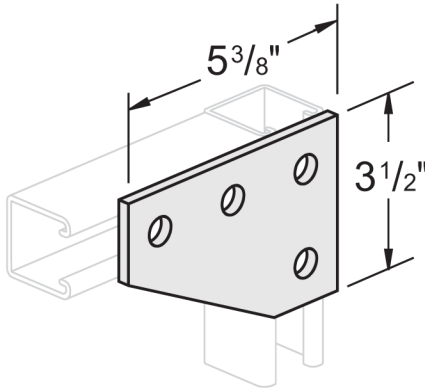
3 HOLE FLAT CORNER



4622

25/CTN
70 LBS/100

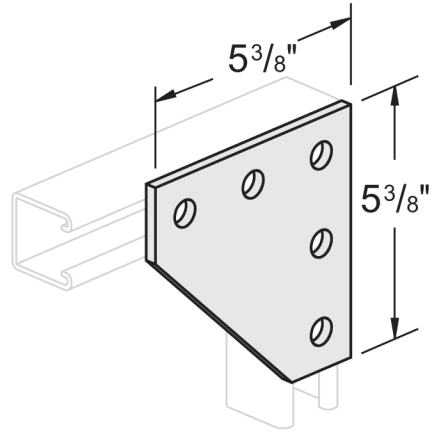
4 HOLE FLAT CORNER



4626

25/CTN
92 LBS/100

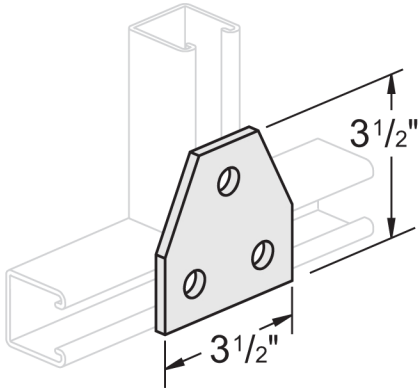
5 HOLE FLAT CORNER



4631

10/CTN
135 LBS/100

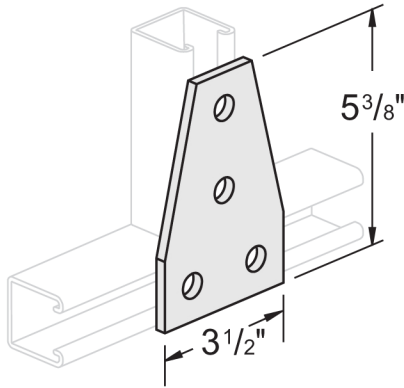
3 HOLE FLAT TEE



4623

50/CTN
70 LBS/100

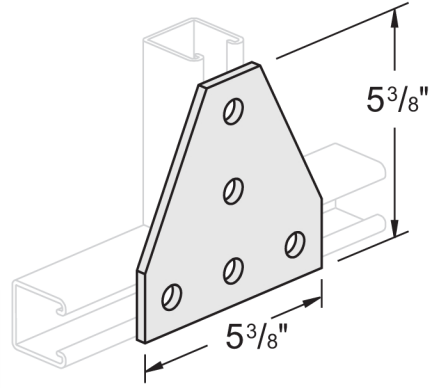
4 HOLE FLAT TEE



4629

25/CTN
93 LBS/100

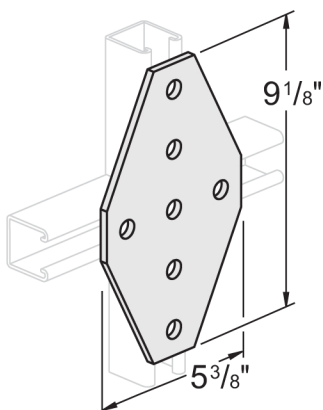
5 HOLE FLAT TEE



4630

25/CTN
143 LBS/100

7 HOLE FLAT CROSS



4633

10/CTN
240 LBS/100



VISIT US ONLINE!
AT

WWW.INDUSTRIALHARDWARE.COM

OR JUST SCAN THIS CODE!



UNLESS SPECIFIED, MATERIAL IS 1-5/8" WIDE. HOLES ARE 9/16" DIAMETER, 13/16" CENTER TO EDGE, & SPACED 1-7/8" ON CENTER. STANDARD FINISH - EG ALSO AVAILABLE: STAINLESS STEEL & HOT DIPPED GALVANIZED

1.13