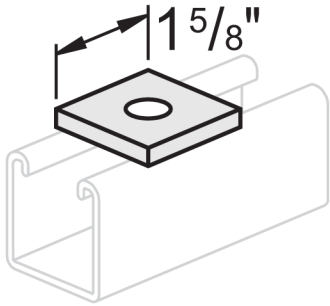


FLAT

CHANNEL FITTINGS

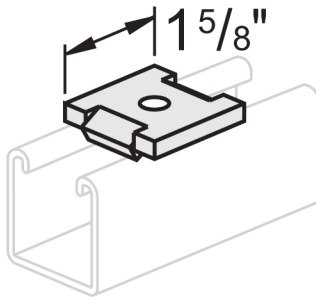
SQUARE WASHERS

FLAT



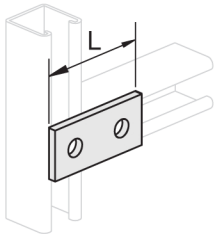
100/CTN
16 LBS/100

W/ GUIDES



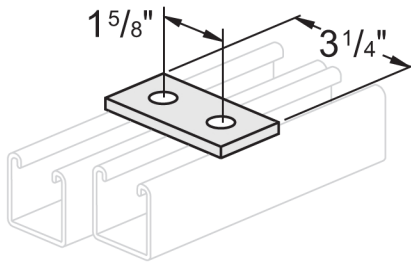
SIZE	FLAT P/N	W/ GUIDES P/N
1/4	4600	4606
3/8	4601	4607
1/2	4602	4608
5/8	4603	4609
3/4	4604	4610
7/8	4605	-

2 HOLE SPLICE



P/N	L	CTN. QTY.	LBS/100
4612	3-1/2"	50	33
4615	4-5/8"	50	50

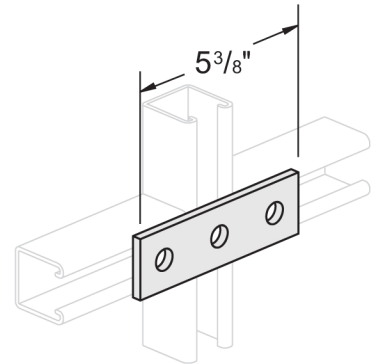
2 HOLE SPLICE



4614

50/CTN
31 LBS/100

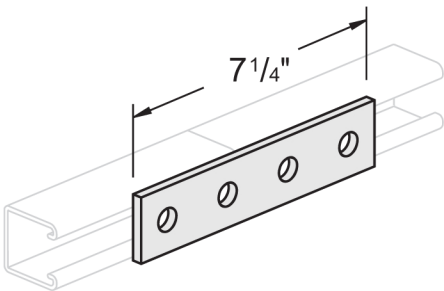
3 HOLE SPLICE



4616

50/CTN
58 LBS/100

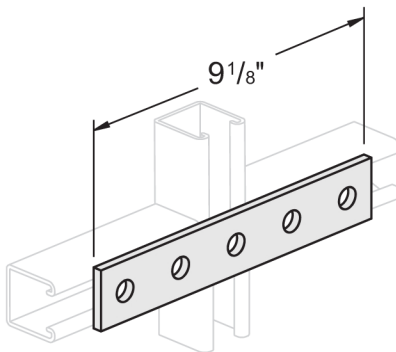
4 HOLE SPLICE



4617

25/CTN
69 LBS/100

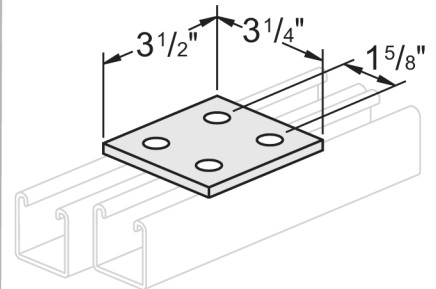
5 HOLE SPLICE



4618

25/CTN
95 LBS/100

4 HOLE SQUARE SPLICE



4624

25/CTN
74 LBS/100

UNLESS SPECIFIED, MATERIAL IS 1-5/8" WIDE. HOLES ARE 9/16" DIAMETER, 13/16" CENTER TO EDGE, & SPACED 1-7/8" ON CENTER. STANDARD FINISH - EG ALSO AVAILABLE: STAINLESS STEEL & HOT DIPPED GALVANIZED

1.13