

Fork Truck Drum Lifter, No. 260

This unique device transforms any forklift truck into an efficient drum handler (Fig. 64). It slips easily onto the forks and grips tightly with knife edged levers. When the load is removed, it can be lifted off easily. The Fork Truck Drum Lifter handles drums with or without heads (Fig. 65). When using clamps to lift one drum, its Working Load Limit is 1 ton.



Figure 64

With shackle reversed in body (Fig. 66), a chain sling can be attached to lift many objects besides drums. Working Load Limit of the Fork Truck Drum Lifter when using center shackle to sling objects is 3 tons.

The Fork Truck Drum Lifter can also be suspended from a crane by the shackle and used to lift single drums. Working Load Limit of the Fork Truck Drum Lifter when using clamps to lift one drum is 1 ton.

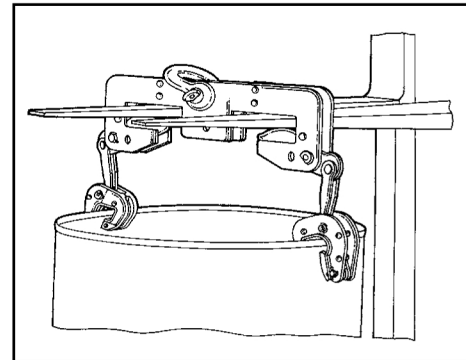


Figure 65

⚠ WARNING!: Always know the amount of load before you lift. Do not exceed Working Load Limit (WLL).

Minimum space between the forks is 5.5" (140 mm)
Maximum width outside the forks is 18" (457 mm)
Maximum fork thickness is 1.8" (45 mm)
Maximum fork width is 6.3" (159 mm)
Drum diameter must be between 17.5 and 25 inches
(445 and 635 mm)

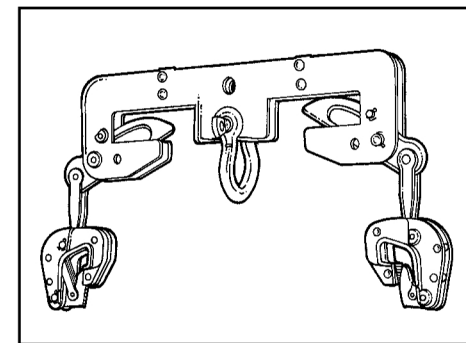


Figure 66

⚠ WARNING!: Inspect clamp before each lift. If cam or pad teeth are worn, or spring is weak, or if clamp is damaged, do not use it.

⚠ WARNING!: All personnel must stand clear of load while it is being lifted or moved.