



SESAME ACCESS DOOR

MODEL KSTDW

For Drywall Ceilings



KARP ASSOCIATES, INC.
 260 Spagnoli Road Melville, NY 11747
 (631) 768-8300 - Phone
 (631) 768-8350 - Fax

DATE

SPECIFICATIONS

GENERAL SCOPE:

Access doors shall be Karp Type KSTDW as manufactured by Karp Associates, Inc., Melville, N.Y. Sizes shall be as indicated on the drawings.

CONSTRUCTION:

1. Frame shall be 20 gage galvanized steel.
2. Door shall be 20 gage galvanized steel and shall be lined with 3/8" mineral fiberboard.
3. Gasketing shall be flame retardant polyurethane.
4. Locks shall have plastic grommets and shall be square head key wrench operated.
5. Hinge shall be concealed pivot with a controlled action device (CAD), except for size 12" x 12".

STANDARD SIZES

DOOR SIZE H x W (INCHES)	SHIPPING WT. (LBS.)
12 x 12	8.2
18 x 18	16.7
24 x 24	17.6
36 x 24	44.4
48 x 24	32.6

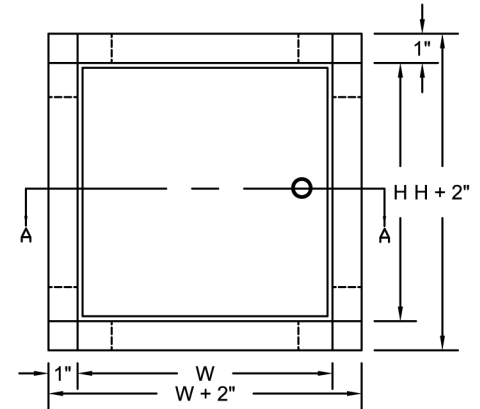
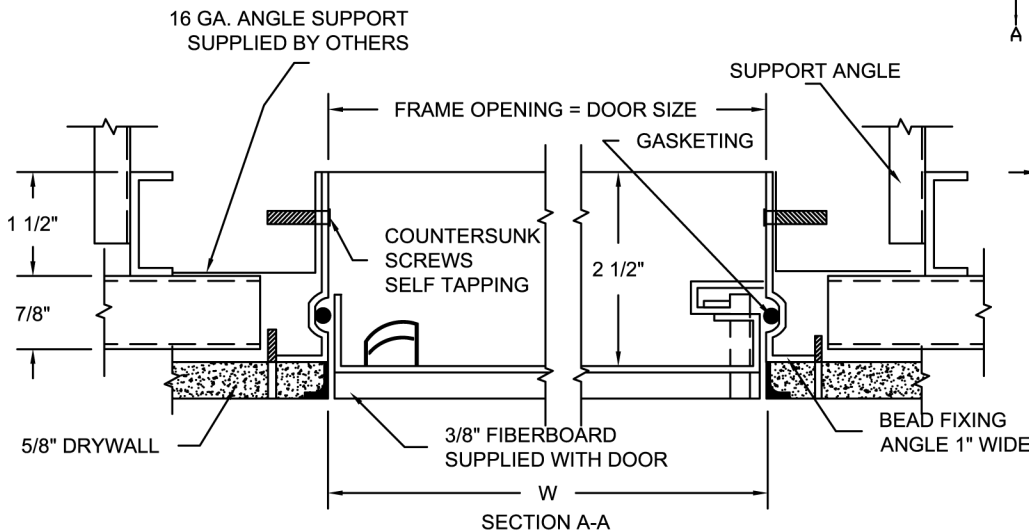
PROJECT DATA

Project Name:
Architect:
Contractor:
Agent/Customer Name:
Tagging Instructions:
Special Instructions:
To be purchased from Industrial Hardware & Specialties, Inc.
www.industrialhardware.com
T:973-684-4010 Fax:973-684-3095



PROJECT SCHEDULE

Qty.	H	W	No. of Latches	Finish	Remarks



Made with Union Labor