



CEILING ACCESS HATCHES

Model KSTC/CAD (Concealed Grid)

For Use in Square or Beveled Edge Ceiling Tile



KARP ASSOCIATES, INC.
 260 Spagnoli Road Melville, NY 11747
 (631) 768-8300 - Phone
 (631) 768-8350 - Fax

DATE

SPECIFICATIONS

GENERAL SCOPE:

Access doors shall be Karp Type KSTC/CAD as manufactured by Karp Associates, Inc., Melville, N.Y. Sizes shall be as indicated on the drawings.

CONSTRUCTION:

1. Frame shall be 20 gage hot dipped galvanized steel with a rib containing a flame retardant polyurethane gasket.
2. Door shall be 20 gage electro-galvanized mild steel.
3. Escutcheon caps shall be plastic molded with hinged flaps.
4. Locks shall be budget locks operated with square shanked key.

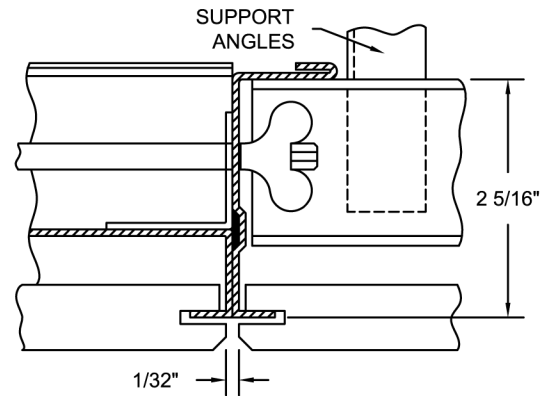
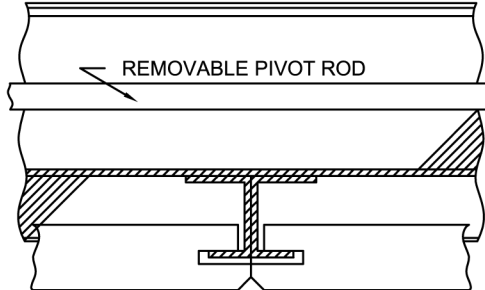
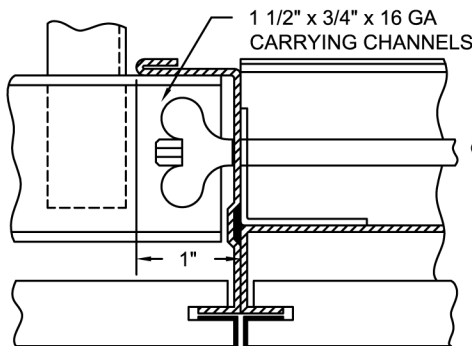
STANDARD SIZES (Special Sizes On Request)

DOOR SIZE (IN.)		SHIP WT. (LBS.)
X	Y	
24	24	19.0
24	48	35.0

PROJECT DATA					
Project Name:					
Architect:					
Contractor:					
Agent/Customer Name:					
Tagging Instructions:					
Special Instructions:					
To be purchased from Industrial Hardware & Specialties, Inc.					
www.industrialhardware.com					
T:973-684-4010 Fax:973-684-3095					



PROJECT SCHEDULE					
Qty.	H	W	No. of Latches	Finish	Remarks



SECTION A-A



Made with Union Labor