



SURFACE MOUNTED FLUSH ACCESS DOOR

Model DSB-214SM

For All Types of Construction

DATE



KARP ASSOCIATES, INC.
 260 Spagnoli Road, Melville, NY 11747
 (631)768-8300 - Phone
 (631)768-8350 - Fax

SPECIFICATIONS

GENERAL SCOPE:

Access doors shall be Karp Type DSB-214SM as manufactured by Karp Associates, Inc., Melville, N.Y. Sizes shall be as indicated on the drawings.

CONSTRUCTION:

1. (a) On door sizes of 12 x 12 and smaller, door and frame shall be 16 gage steel (or if specified, stainless steel).
- (b) On larger sizes, door and frame shall be 14 gage steel (or if specified, stainless steel).
2. Trim shall be one piece construction.
3. Hinge shall be exposed continuous piano hinge.
4. Latches shall be flush and screwdriver operated, or shall be key operated cylinder lock with automatic dust shutter.
5. Finish shall be prime coat of rust inhibitive electrostatic powder, baked white enamel.

STANDARD SIZES

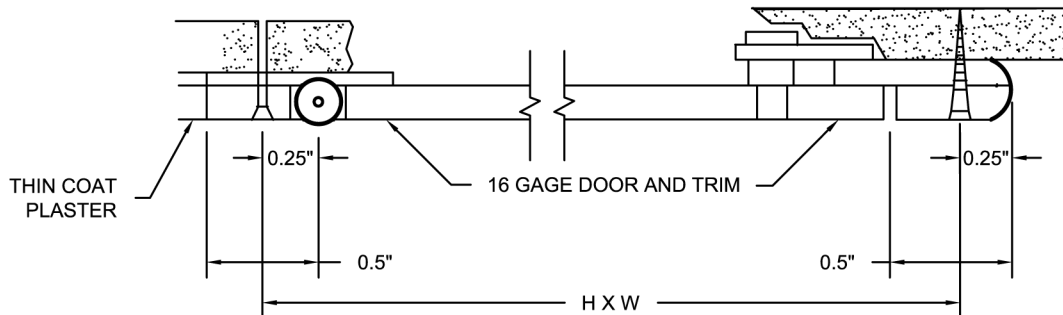
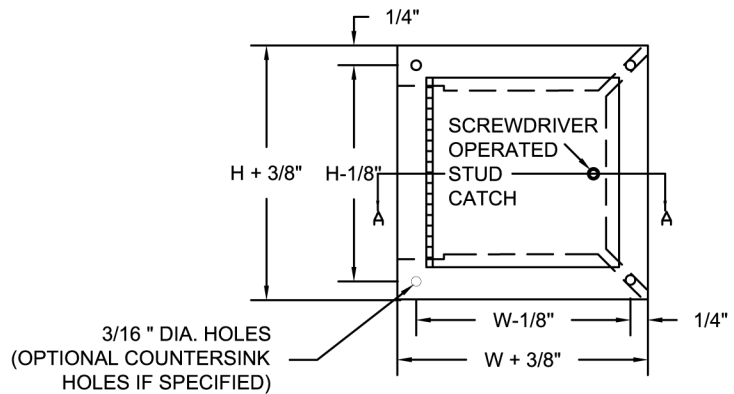
| FRAME MTG SIZE H X W (IN.) | NUMBER OF LATCHES | SHIP WT. (LBS.) |
|-------------------------------|-------------------|-----------------|
| 8 x 8 | 1 | 1.8 |
| 12 x 12 | 1 | 4.2 |
| 16 x 16 | 2 | 7.0 |
| 24 x 24 | 4 | 13.7 |

| PROJECT DATA |
|---|
| Project Name: |
| Architect: |
| Contractor: |
| Agent/Customer Name: |
| Tagging Instructions: |
| Special Instructions: |
| To be purchased from Industrial Hardware & Specialties, Inc. www.industrialhardware.com T:973-684-4010 Fax:973-684-3095 |



PROJECT SCHEDULE

| Qty. | H | W | No. of Latches | Finish | Remarks |
|------|---|---|----------------|--------|---------|
| | | | | | |
| | | | | | |
| | | | | | |
| | | | | | |
| | | | | | |
| | | | | | |
| | | | | | |



Made with Union Labor