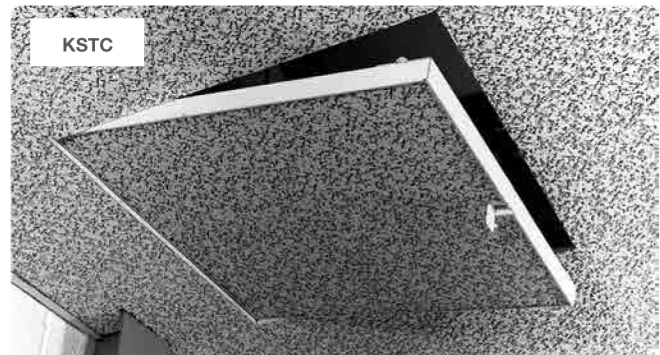


# Specialty Access Doors



## KSTDW, KSTE, & KSTC Sesame Access Doors

The **KSTDW** is designed for complete concealment in drywall ceilings. The **KSTC** & **KSTE** are designed for use with concealed and exposed grid systems, respectively. Panel opens up to receive tile. Door panel on the sesame doors will open to a check position for safety and then release for a 90° opening and is removable.

**MATERIALS** 20 ga. galvanized steel door & frame.  
Door lined with 3/8" mineral fiberboard.

**HINGE TYPE** Concealed pivot with a controlled action device (CAD) on KSTDW model only, except for size 12" x 12"

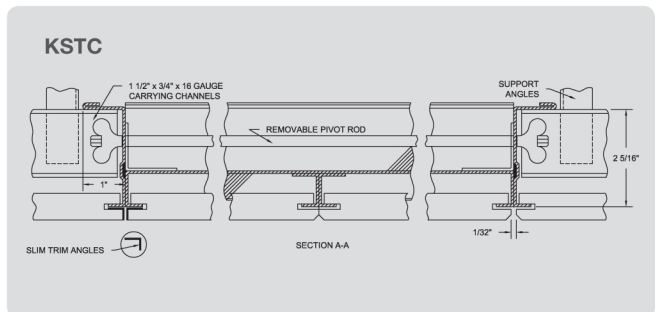
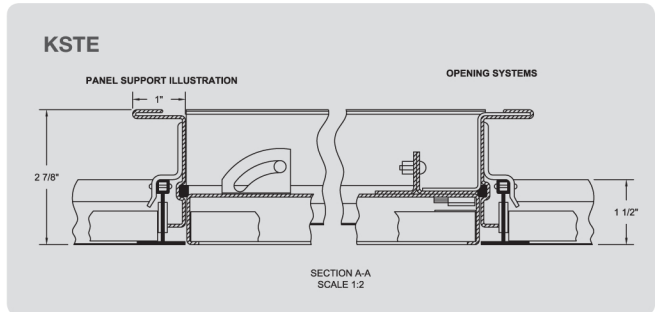
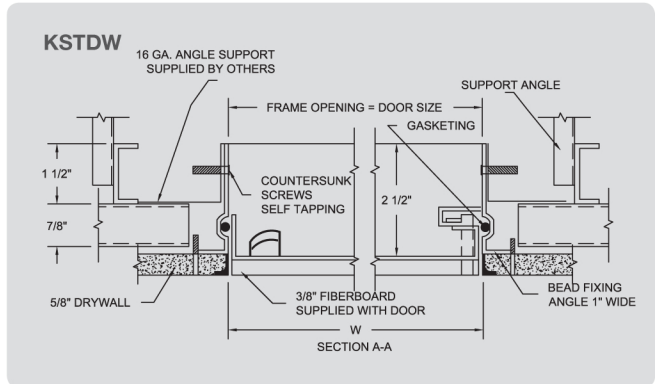
**LATCH TYPE** Plastic grommets; square head key wrench operated

**NOTES** Gasketing: flame retardant polyurethane

KSTDW DOOR SIZE (H X W)	SHIPPING WEIGHT (LBS)	KSTE & KSTC DOOR SIZE (H X W)	SHIPPING WEIGHT (LBS)
12" x 12"	8.2 lbs	24" x 24"	17.6 lbs
18" x 18"	17.6 lbs	48" x 24"	32.6 lbs
24" x 24"	28.8 lbs		
36" x 24"	44.4 lbs		
48" x 24"	51.1 lbs		

\* Sizes are nominal for models KSTC and KSTE. Special sizes and modifications available on request.

NOTE: Please call Karp's Customer Service Department for framing information and installation instructions.



### DID YOU KNOW?

From the White House to Yankee Stadium, from JFK International Airport to Windsor Castle, Karp access doors are vital to buildings everywhere providing safety, security and ease of access.